

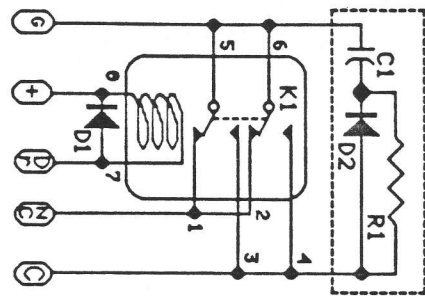
C-11232 Relay Snubber Board

C-11232-1 Relay Board*

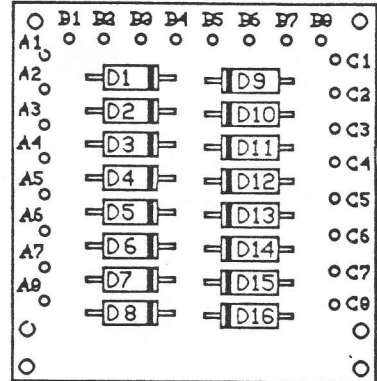
C-11232-2 Relay Snubber Board

* Parts inside dashed lines omitted from Relay Board.

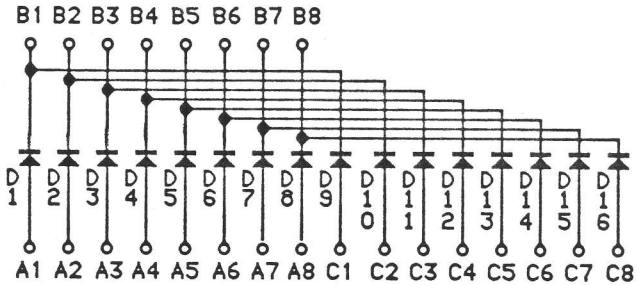
* For C-11232-2, D2 is omitted; C1 is 0.1 μ f; R1 is 0 Ω .



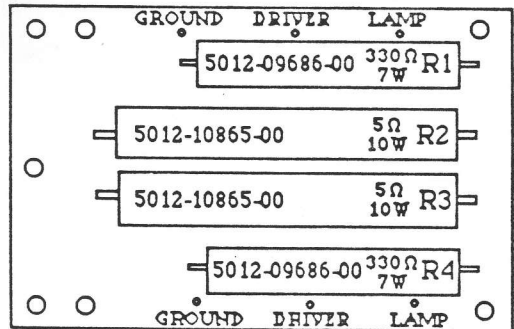
C-11232-Series Board Schematic



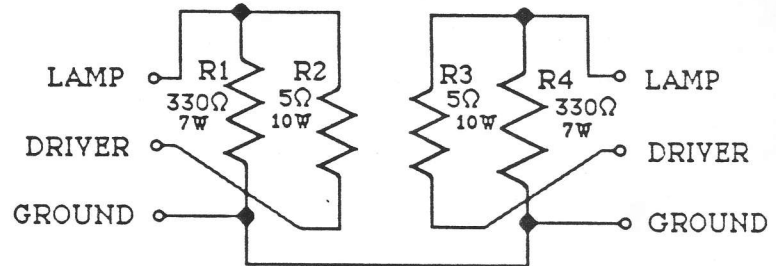
C-11234 Diode Board



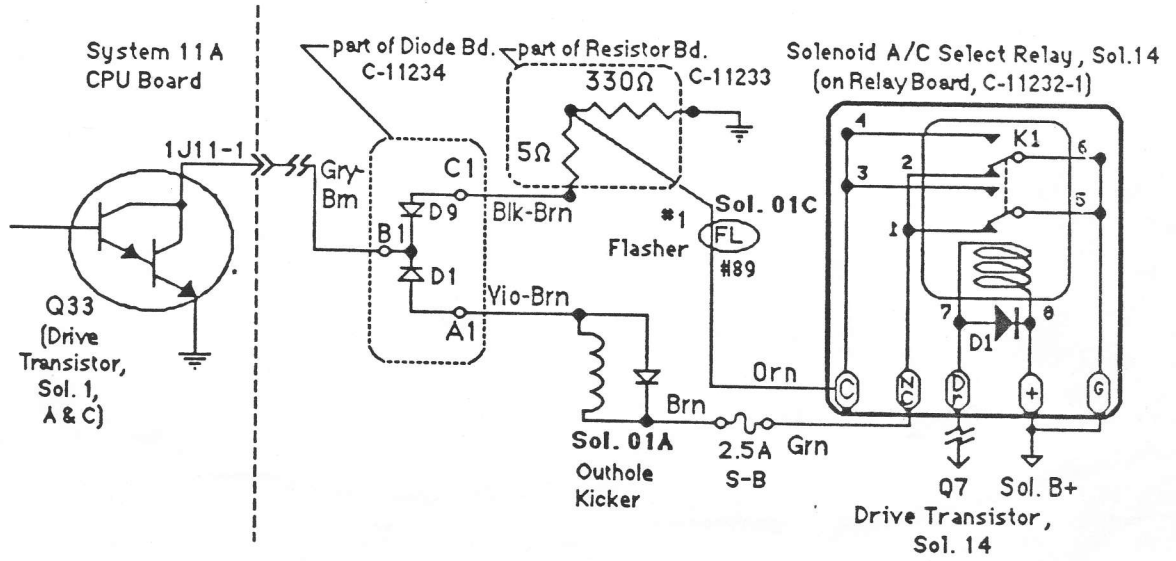
C-11234 Diode Board Schematic



C-11233 Flashlamp Resistor Board



C-11233 Resistor Board Schematic



F-14 TOMCAT Typical A/C Solenoid Circuit