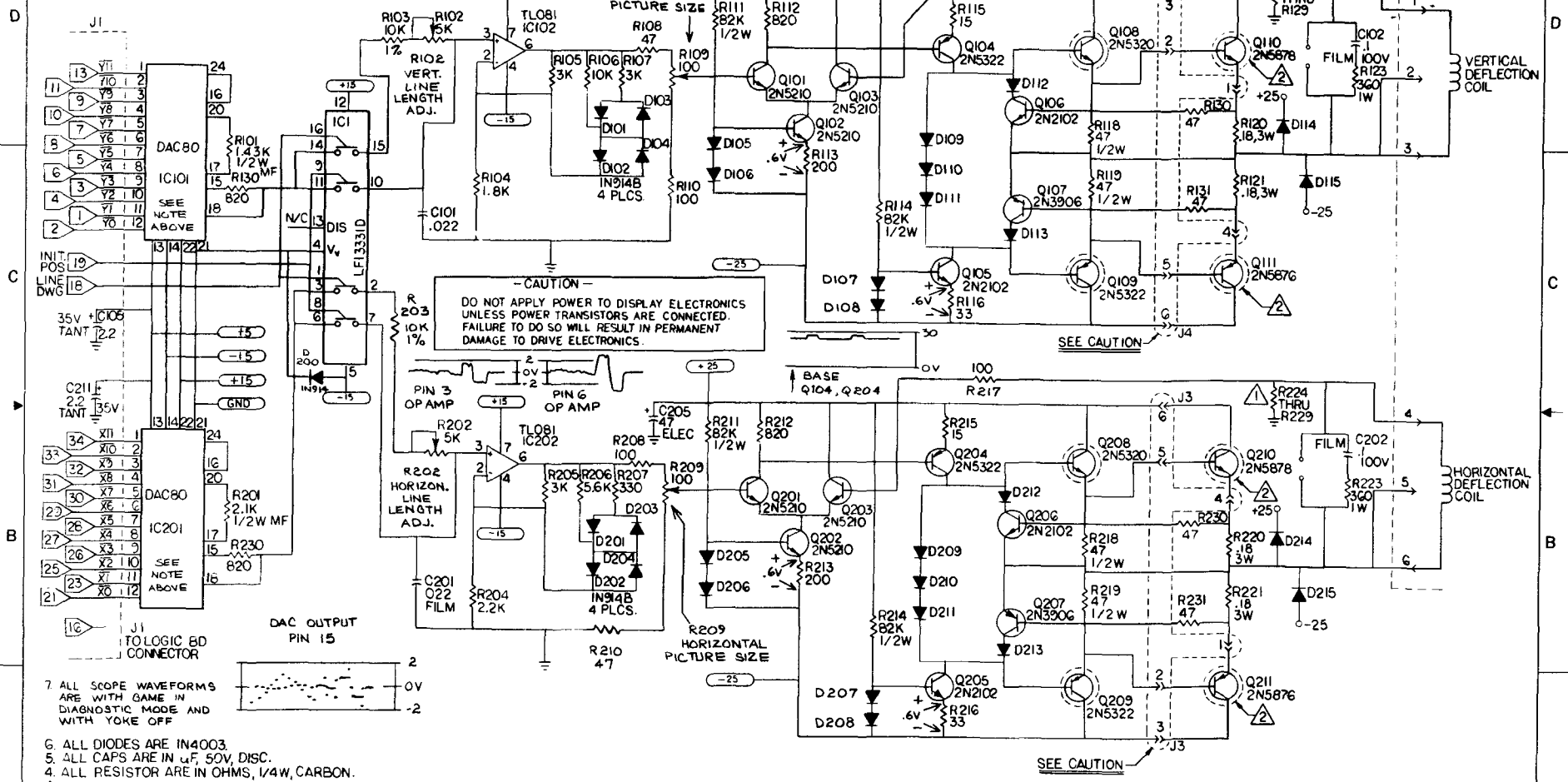


WHEN BECKMAN 7580VS DAC IS UTILIZED FOR IC101 AND IC201:
 R101 CHANGED TO 11.0 K 1% METAL FILM
 R201 CHANGED TO 7.5 K 1% METAL FILM
 BECKMAN DAC NOT COMPATIBLE WITH BURR BROWN DAC.

REVISIONS			
REV	DESCRIPTION	DATE	APPROVED



7 ALL SCOPE WAVEFORMS ARE WITH GAME IN DIAGNOSTIC MODE AND WITH YOKE OFF

6. ALL DIODES ARE IN4003.
 5. ALL CAPS ARE IN μ F, 50V, DISC.
 4. ALL RESISTOR ARE IN OHMS, 1/4W, CARBON.

- ▲ SOLDER POINTS ON P.C. BOARD.
- ▲ POWER TRANSISTORS ARE MOUNTED ON HEATSINKS & ARE SEPARATE FROM P.C. BOARD. (DWG # SD100214).
- ▲ R124 - R129 & R224 - R229 ARE COMPOSED OF 6 EACH 2.7 Ω , 1W, RESISTORS IN PARALLEL.

NOTES: UNLESS OTHERWISE SPECIFIED

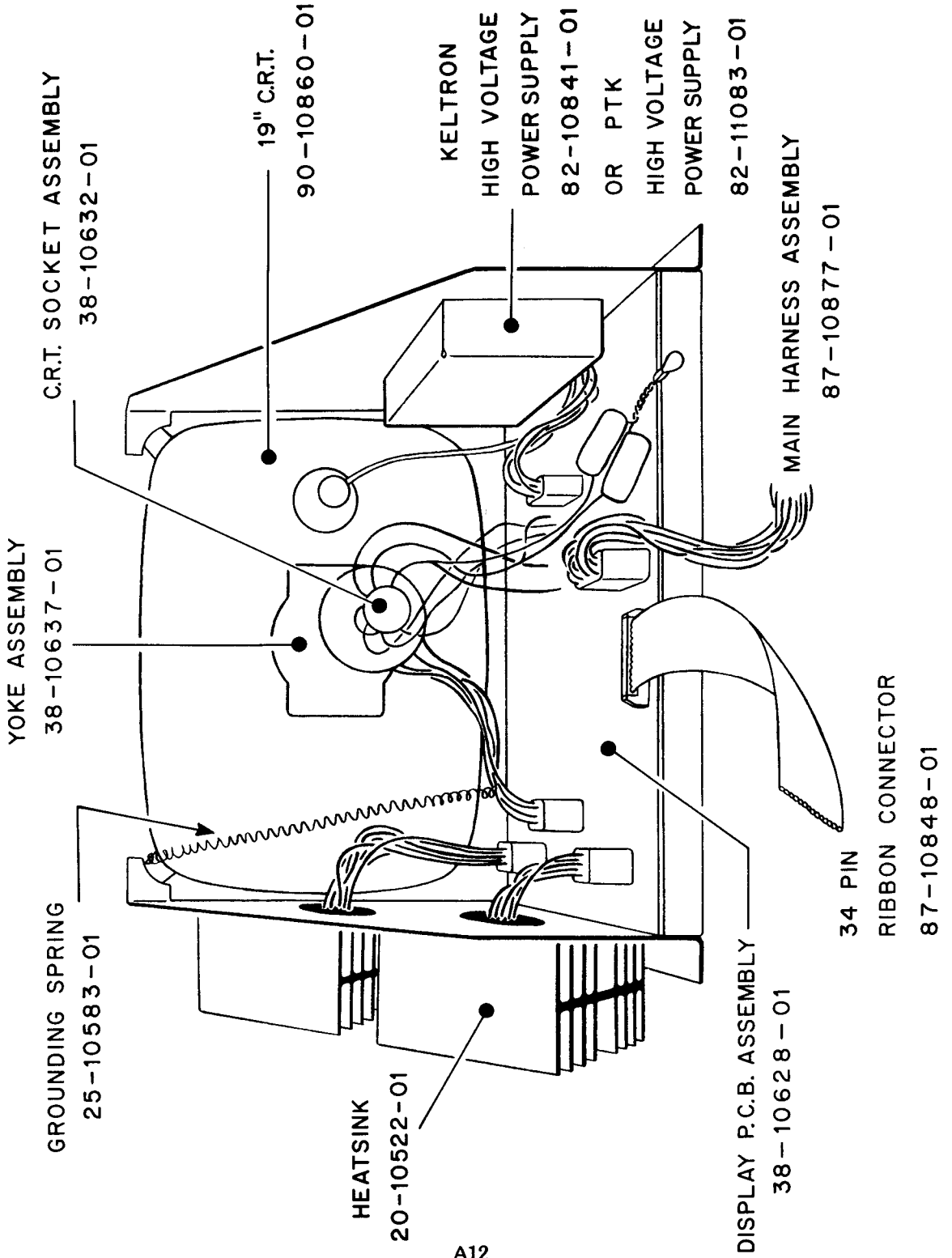
MATERIAL:	DRAWN BY: SEMERRY H	DATE: 7.20	CINEMATRONICS INC El Cajon Ca 92020
	PROJECT ENGR:	DATE:	
FINISH:	RELEASE APPROV:	DATE:	DWG TITLE
	DO NOT SCALE DWG	TOLERANCE UNLESS OTHERWISE SPECIFIED	DISPLAY ELECTRONICS KELTRON
PROJECTION:	SCALE:	MODEL NO:	DWG NO:
CODE IDENT:		72-10628-02	G

MONITOR ASSEMBLY (KELTRON)

38-10633-01

MONITOR ASSEMBLY (PTK)

38-11207-01



A13

VERTICAL
DEFLECTION
AMPLIFIER



HORIZONTAL
DEFLECTION
AMPLIFIER



"Y" GAIN (VERTICLE SIZE)



"Y" LINE LENGTH (VERTICLE)

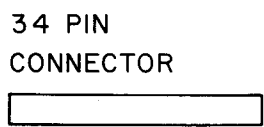
"X" GAIN
(HORIZONTAL
SIZE)



"X" LINE LENGTH (HORIZONTAL)



HIGH
VOLTAGE



J1



J 2
MAIN

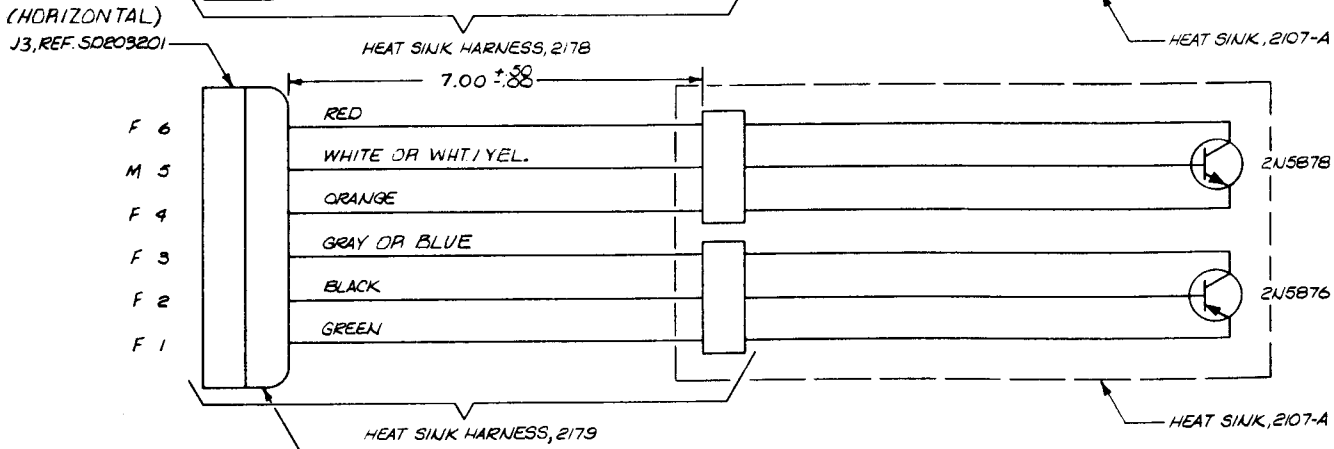
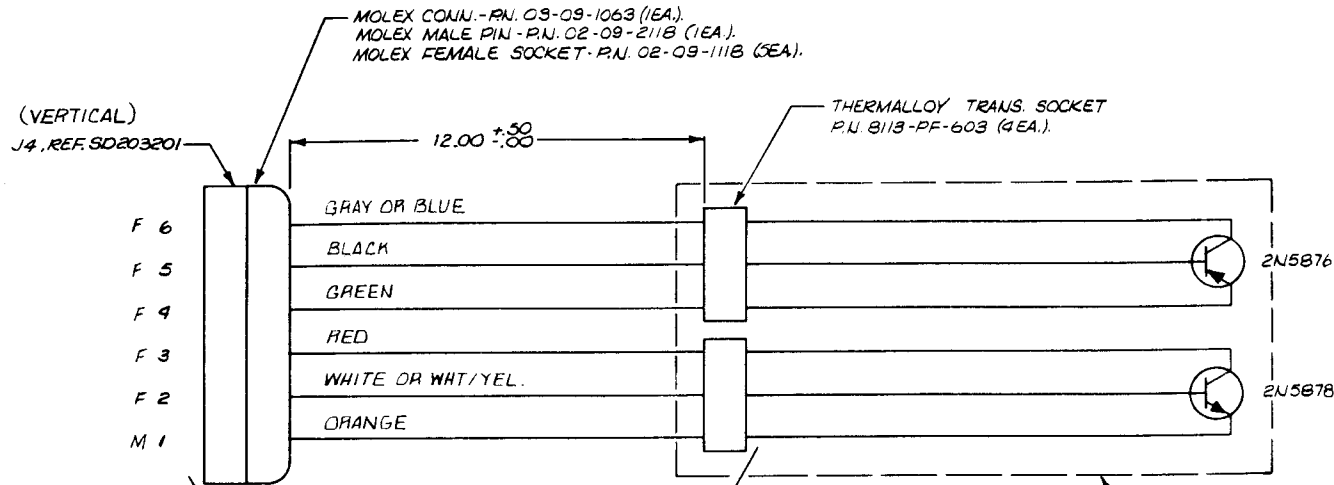


BRIGHTNESS
ADJUST

HARNESS

DISPLAY P.C.B. CONNECTORS AND ADJUSTMENTS

REVISIONS			
REV	DESCRIPTION	DATE	APPROVED
B	PER ECR 05B	9 MAY 82	<i>[Signature]</i>



MOLEX CONN. - P.N. 03-09-1063 (1EA).
MOLEX MALE PIN - P.N. 02-09-211B (1EA).
MOLEX FEMALE SOCKET - P.N. 02-09-111B (5EA).

MATERIAL:	DRAWN BY: <i>A. Thacker</i>	DATE: 8-7-79	CINEMATRONICS INC. El Cajon Ca. 92020	
	PROJECT ENGR:	DATE: 3-79		
FINISH: BREAK ALL SHARP EDGES AND DEBURR ALL HOLES.	RELEASE APPROV: <i>CEJ</i>	DATE: 3-79	DWG TITLE: SCHEMATIC, VERTICAL & HORIZONTAL HEAT SINK ASSY.	
	DO NOT SCALE DWG			
	TOLERANCE: UNLESS OTHERWISE SPECIFIED		MODEL NO. DWG NO. 72-10969-01	REV. B
	PROJECTION: <i>[Symbol]</i>	SCALE: NONE	CODE IDENT.	SHEET / OF /

NOTES: UNLESS OTHERWISE SPECIFIED

DRAWING 40-21 4043