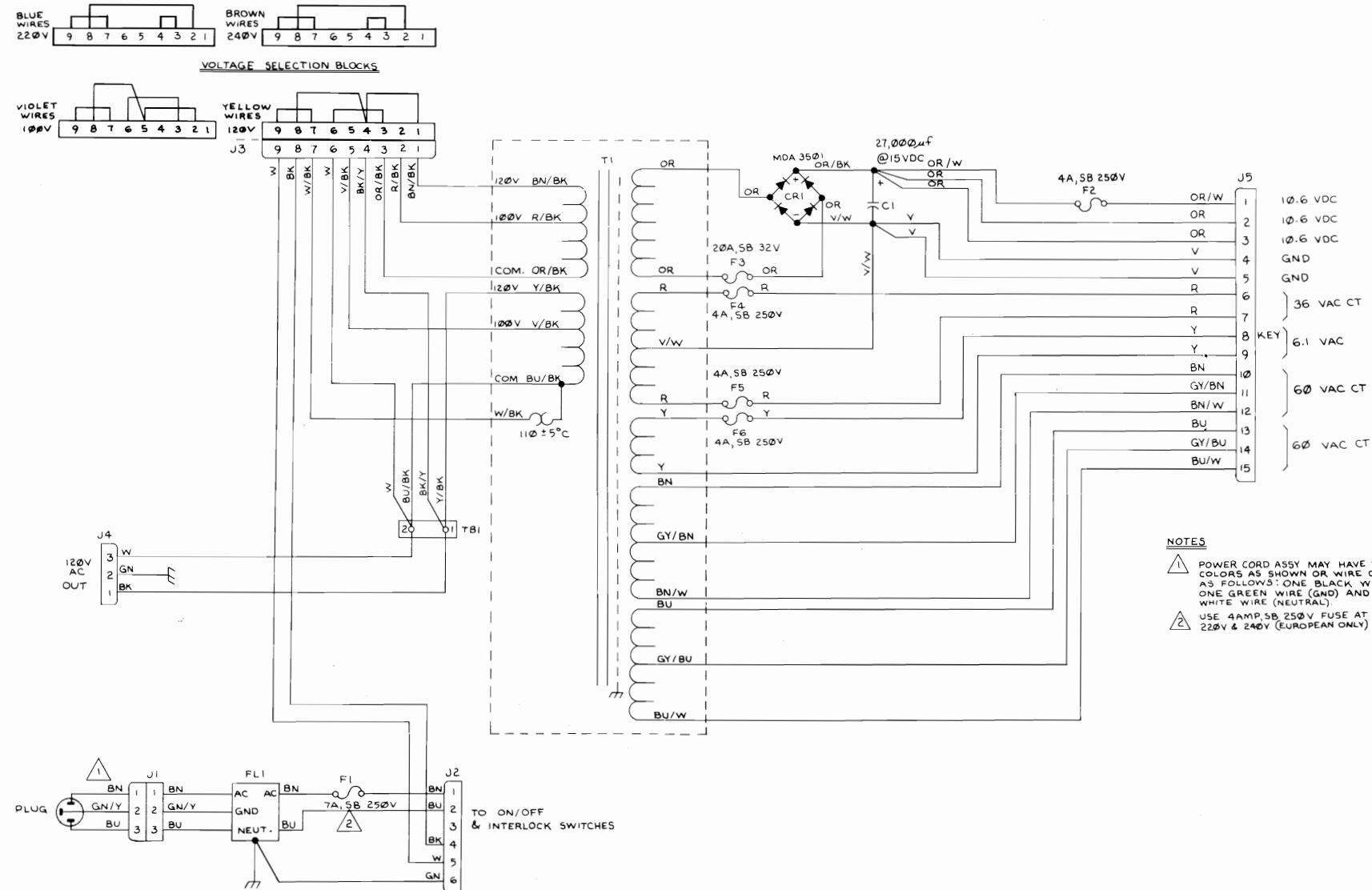
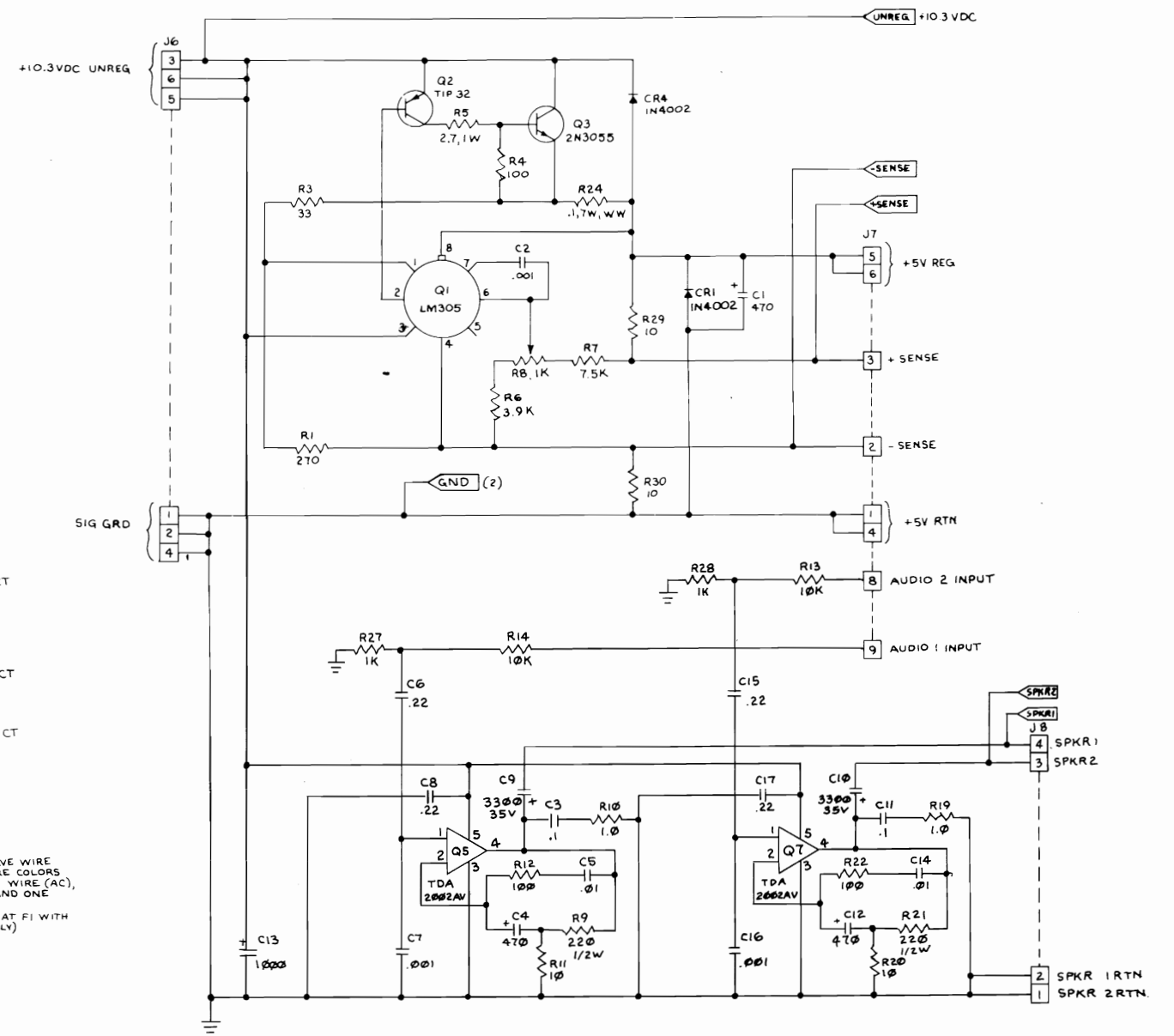



Color Raster Power Supply Wiring Diagram



Regulator/Audio II PCB Schematic Diagram





ATARI

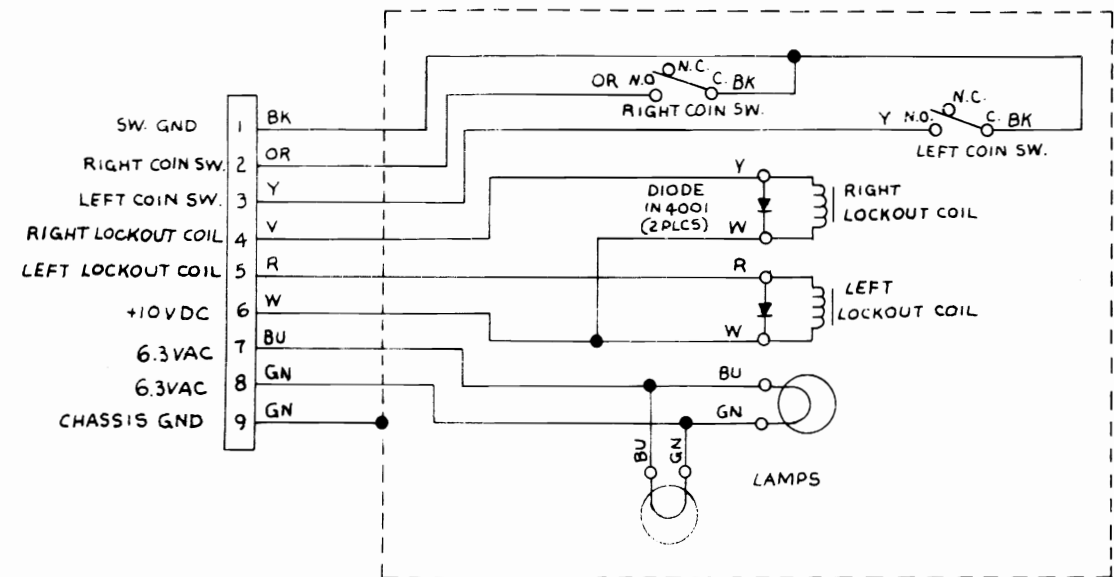
NOTICE TO ALL PERSONS RECEIVING THIS DRAWING
 CONFIDENTIAL: Reproduction forbidden without the specific written permission of Atari, Inc., Sunnyvale, CA. This drawing is only conditionally issued, and neither receipt nor possession thereof confers or transfers any right in, or license to use, the subject matter of the drawing or any design or technical information shown thereon, nor any right to reproduce this drawing or any part thereof. Except for manufacture by vendors of Atari, Inc., and for manufacture under the corporation's written license, no right is granted to reproduce this drawing or the subject matter thereof, unless by written agreement with or written permission from the corporation.

Dig Dug Power Supply and Reg./Audio II PCB

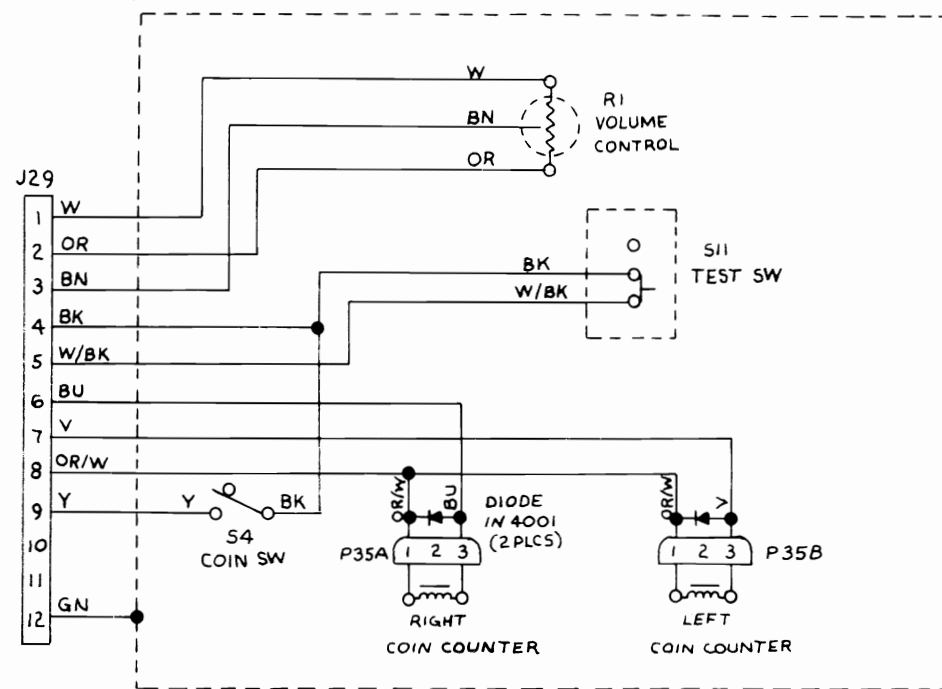
© ATARI INC., 1982
 A Warner Communications Company

SP-203 Sheet 3A
 3rd printing 5L

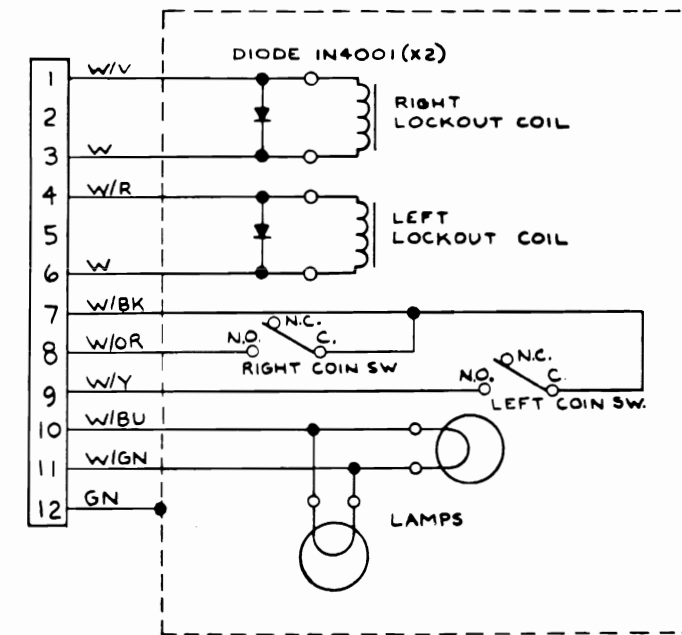
Upright and Cabaret Coin Door Wiring Diagram



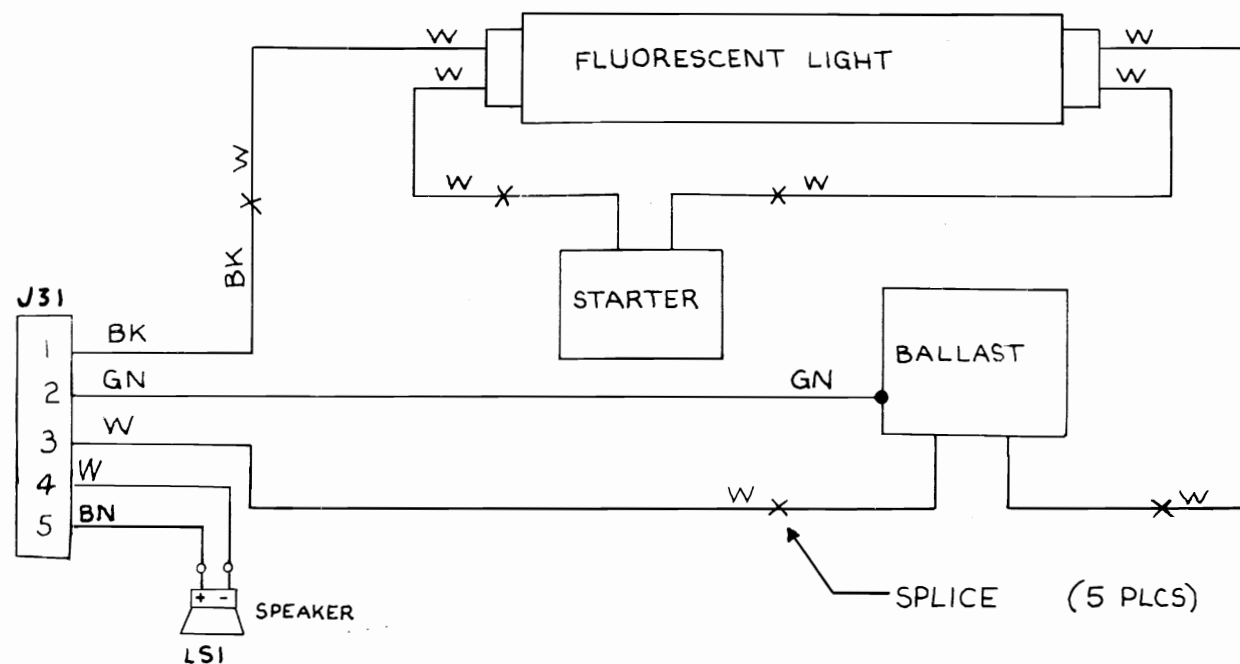
Utility Panel Wiring Diagram



Cocktail Coin Acceptor Wiring Diagram



Fluorescent Light and Speaker Wiring Diagram



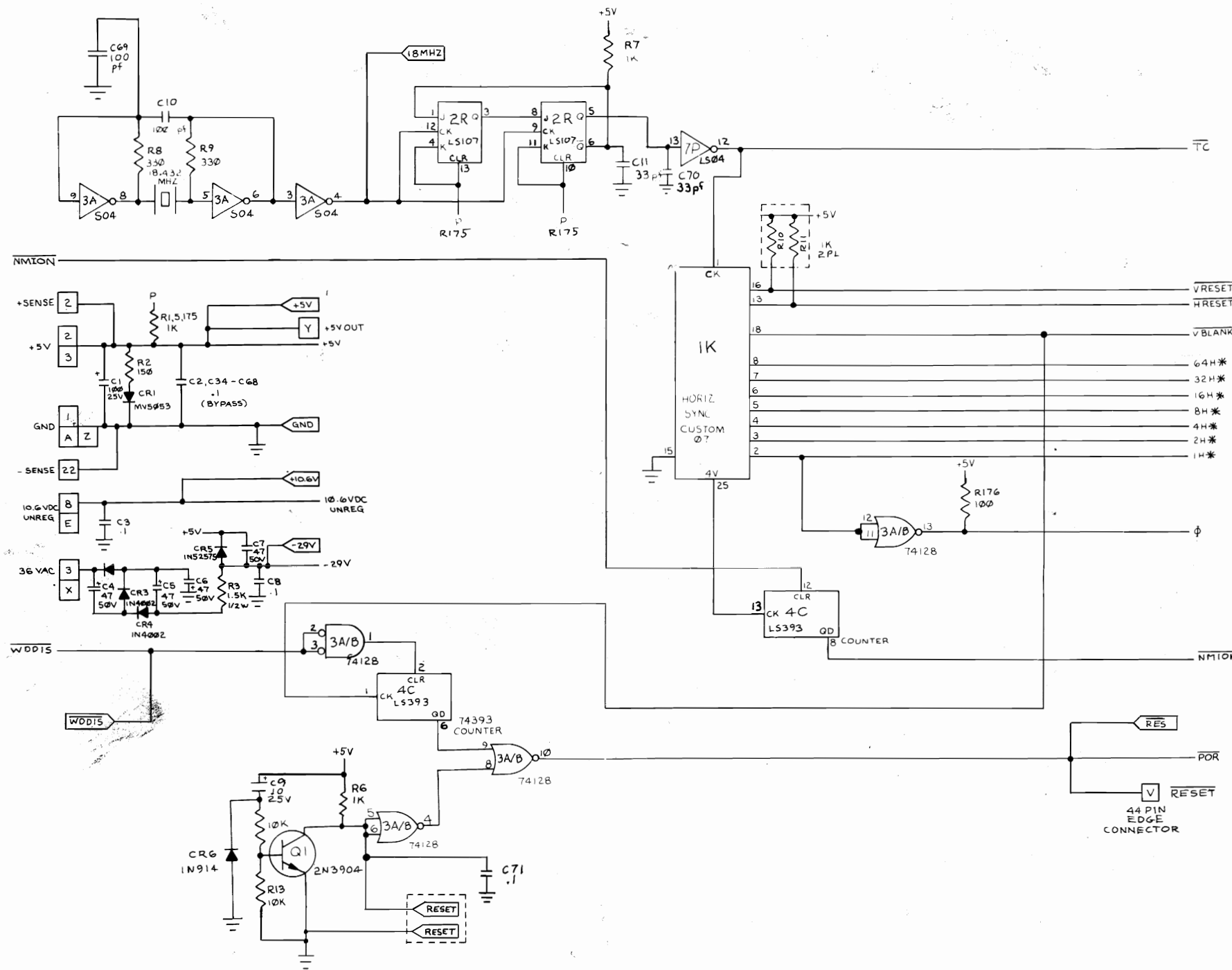
NOTICE TO ALL PERSONS RECEIVING THIS DRAWING
 CONFIDENTIAL: Reproduction forbidden without the specific written permission of Atari, Inc., Sunnyvale, CA. This drawing is only conditionally issued, and neither receipt nor possession thereof confers or transfers any right in, or license to use, the subject matter of the drawing or any design or technical information shown thereon, nor any right to reproduce this drawing or any part thereof. Except for manufacture by vendors of Atari, Inc., and for manufacture under the corporation's written license, no right is granted to reproduce this drawing or the subject matter thereof, unless by written agreement with or written permission from the corporation.

Dig Dug Game Wiring Interfaces

© ATARI INC., 1982
 A Warner Communications Company

SP-203 Sheet 3B
 3rd printing 5L

CPU PCB Power Input, Clock, NMI, and Watchdog



MEMORY MAP

HEXA-DECIMAL ADDRESS	R/W	DATA								FUNCTION
		D7	D6	D5	D4	D3	D2	D1	D0	
0000-3FFF	R	D	D	D	D	D	D	D	D	1st Priority Z80 CPU ROM (16K)
0000-1FFF	R	D	D	D	D	D	D	D	D	2nd Priority Z80 CPU ROM (8K)
0000-0FFF	R	D	D	D	D	D	D	D	D	3rd Priority Z80 CPU ROM (4K)
6800-680F	W					D	D	D	D	Audio Control
6810-681F	W					D	D	D	D	Audio Control
6820	W								D	0 = Reset IRQ1 (Latched)
6821	W								D	0 = Reset IRQ2 (Latched)
6822	W								D	0 = Enable NMI3 (Latched)
6823	W								D	0 = Reset 2nd and 3rd Z80 CPUs (Latched)
6825	W								D	Custom Chip 53 Mode Control (Latched)
6826	W								D	Custom Chip 53 Mode Control (Latched)
6827	W								D	Custom Chip 53 Mode Control (Latched)
6830	W									Watchdog Reset
7000	R/W	D	D	D	D	D	D	D	D	Custom Chip 06—Data
7100	R/W	D	D	D	D	D	D	D	D	Custom Chip 06—Command
8000-87FF	R/W	D	D	D	D	D	D	D	D	2K Playfield RAM
8B80-8BFF	R/W	D	D	D	D	D	D	D	D	1K Motion RAM (PIC, COLOR)
9380-93FF	R/W	D	D	D	D	D	D	D	D	1K Motion RAM (VPOS, HPOS)
9B80-9BFF	R/W	D	D	D	D	D	D	D	D	1K Motion RAM (FLIP)
A000	W								D	Playfield Select (Latched)
A001	W								D	Playfield Select (Latched)
A002	W								D	Alphanumeric Color Select (Latched)
A003	W								D	Playfield Enable (Latched)
A004	W								D	Playfield Color Select (Latched)
A005	W								D	Playfield Color Select (Latched)
A007	W								D	Flip Video
B800-B83F	W	D	D	D	D	D	D	D	D	Write EAROM Address and Data
B800	R	D	D	D	D	D	D	D	D	Read EAROM Data
B840	W					D	D	D	D	Write EAROM Control



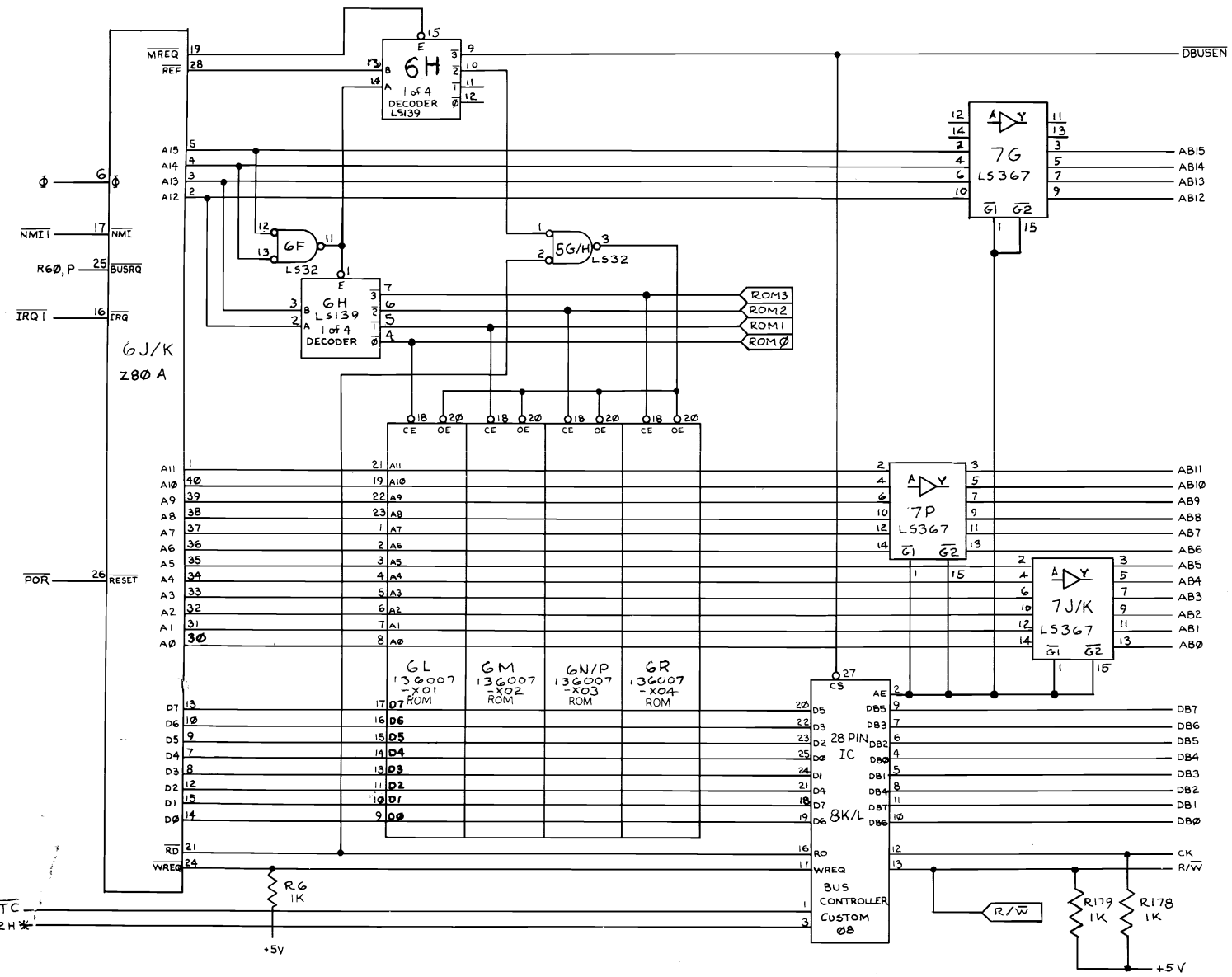
NOTICE TO ALL PERSONS RECEIVING THIS DRAWING
 CONFIDENTIAL: Reproduction forbidden without the specific written permission of Atari, Inc., Sunnyvale, CA. This drawing is only conditionally issued, and neither receipt nor possession thereof confers or transfers any right in, or license to use, the subject matter of the drawing or any design or technical information shown thereon, nor any right to reproduce this drawing or any part thereof. Except for manufacture by vendors of Atari, Inc., and for manufacture under the corporation's written license, no right is granted to reproduce this drawing or the subject matter thereof, unless by written agreement with or written permission from the corporation.

Dig Dug CPU PCB Schematic Diagram

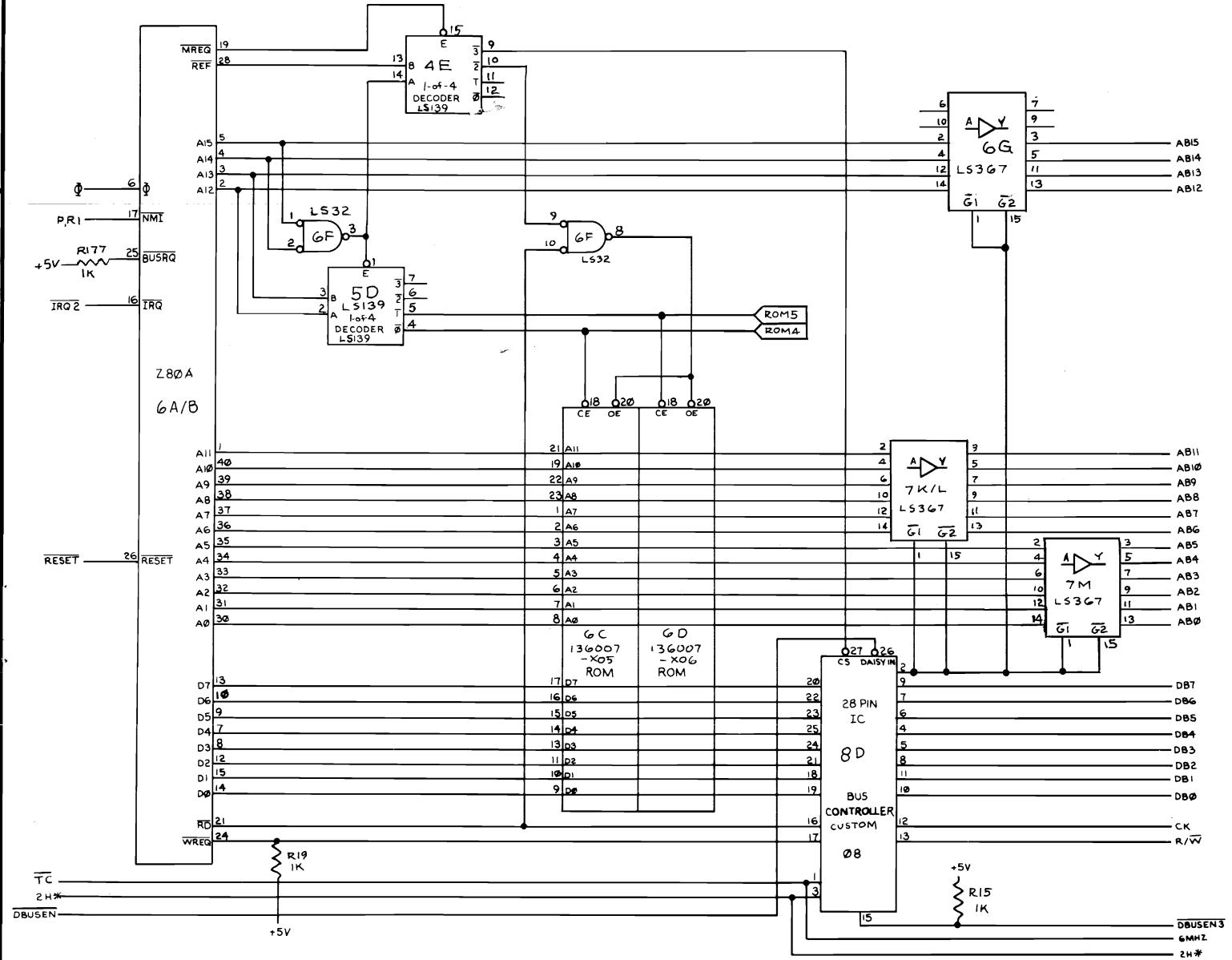
© ATARI INC., 1982
 A Warner Communications Company

SP-203 Sheet 4A
 3rd printing 5L

1st Priority CPU



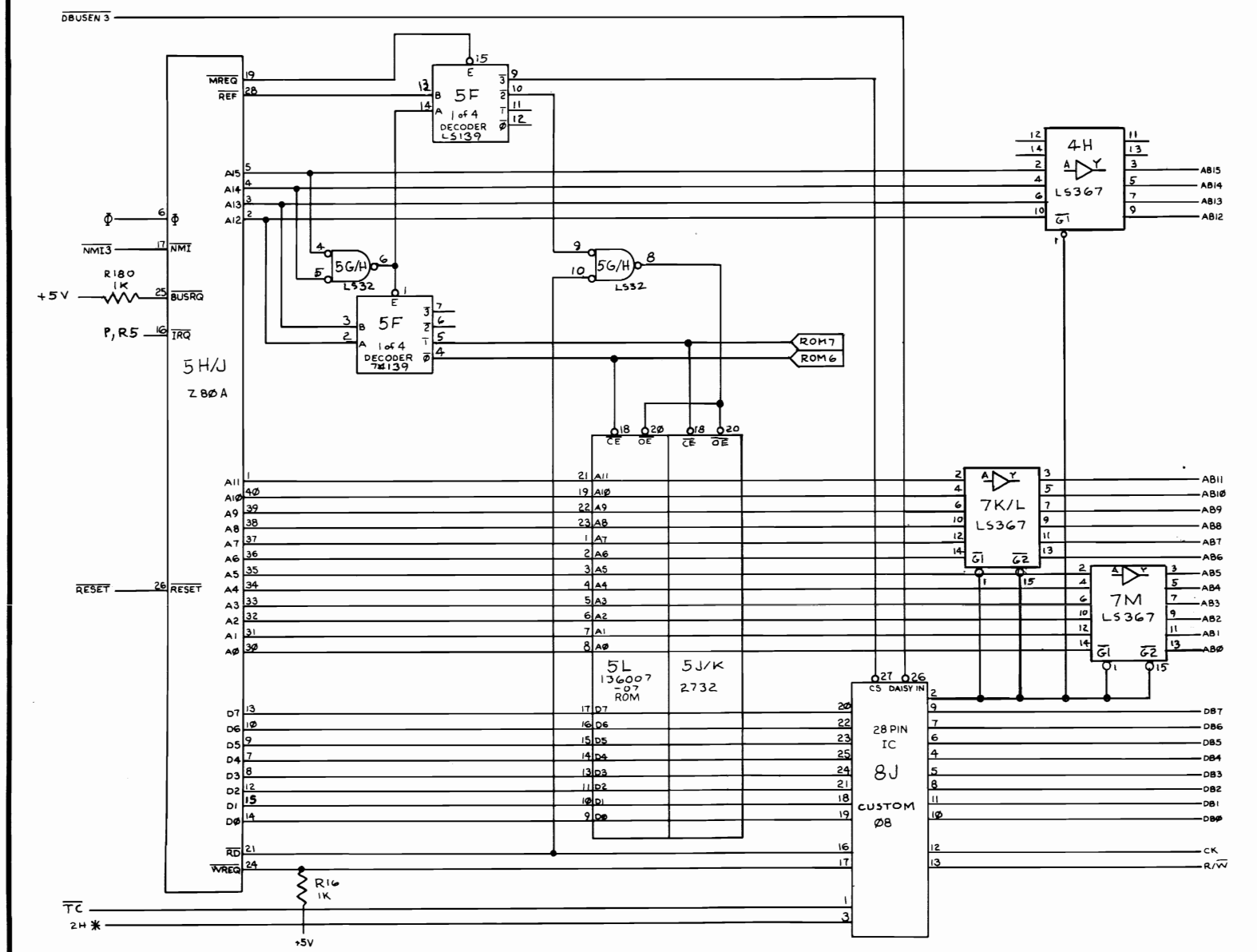
2nd Priority CPU



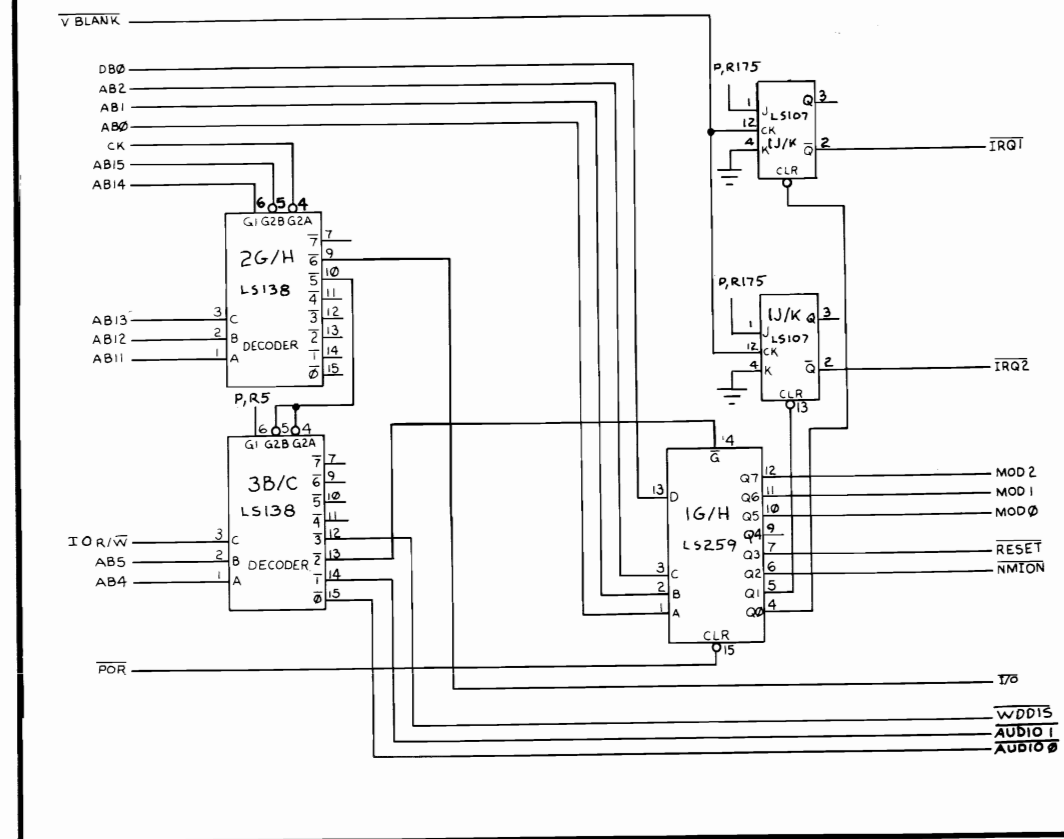
NOTICE TO ALL PERSONS RECEIVING THIS DRAWING
 CONFIDENTIAL: Reproduction forbidden without the specific written permission of Atari, Inc., Sunnyvale, CA. This drawing is only conditionally issued, and neither receipt nor possession thereof confers or transfers any right in, or license to use, the subject matter of the drawing or any design or technical information shown thereon, nor any right to reproduce this drawing or any part thereof. Except for manufacture by vendors of Atari, Inc., and for manufacture under the corporation's written license, no right is granted to reproduce this drawing or the subject matter thereof, unless by written agreement with or written permission from the corporation.

Dig Dug Game PCB Schematic Diagram

3rd Priority CPU



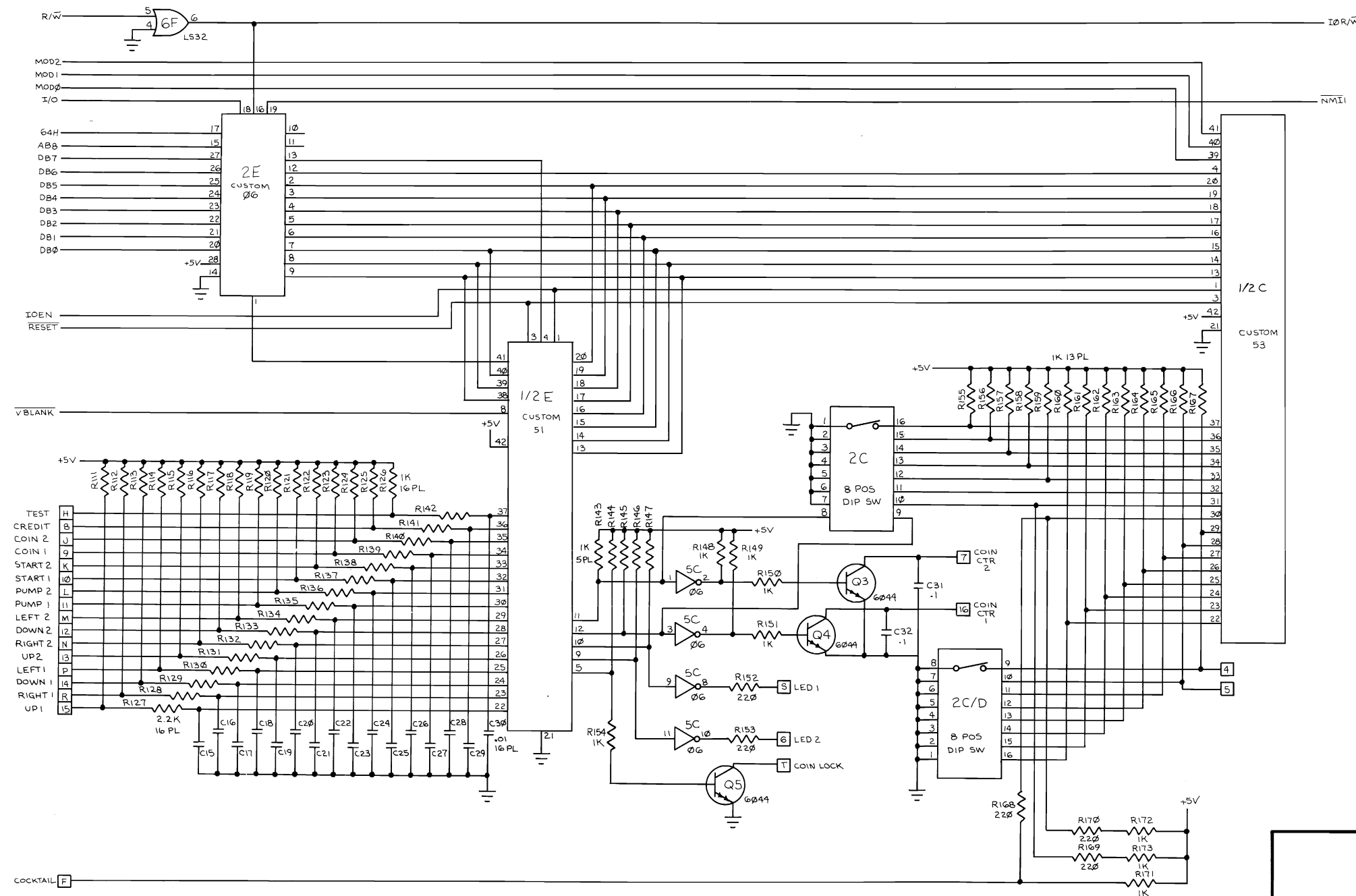
Address Decoder



NOTICE TO ALL PERSONS RECEIVING THIS DRAWING
 CONFIDENTIAL: Reproduction forbidden without the specific written permission of Atari, Inc., Sunnyvale, CA. This drawing is only conditionally issued, and neither receipt nor possession thereof confers or transfers any right in, or license to use, the subject matter of the drawing or any design or technical information shown thereon, nor any right to reproduce this drawing or any part thereof. Except for manufacture by vendors of Atari, Inc., and for manufacture under the corporation's written license, no right is granted to reproduce this drawing or the subject matter thereof, unless by written agreement with or written permission from the corporation.

Dig Dug Game PCB Schematic Diagram

Switch Inputs, Coin Door and Control Panel Outputs



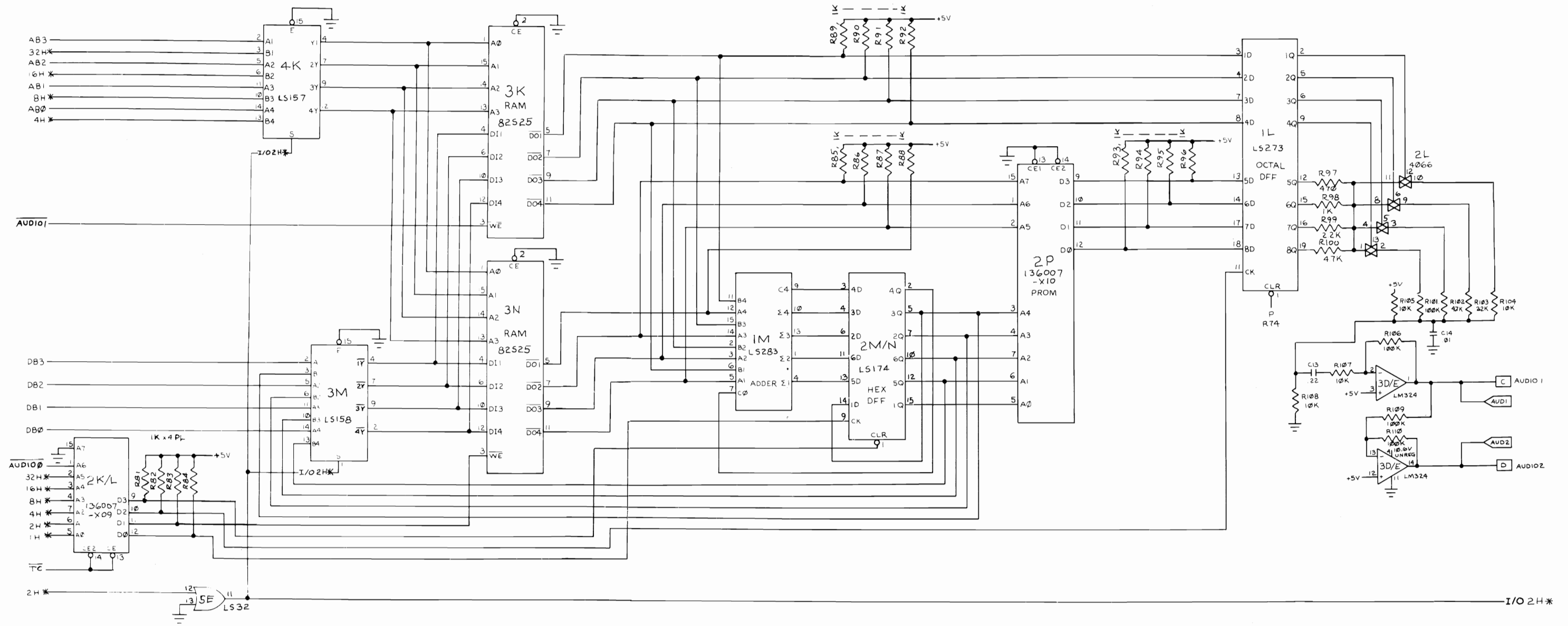
NOTICE TO ALL PERSONS RECEIVING THIS DRAWING
 CONFIDENTIAL: Reproduction forbidden without the specific written permission of Atari, Inc., Sunnyvale, CA. This drawing is only conditionally issued, and neither receipt nor possession thereof confers or transfers any right in, or license to use, the subject matter of the drawing or any design or technical information shown thereon, nor any right to reproduce this drawing or any part thereof. Except for manufacture by vendors of Atari, Inc., and for manufacture under the corporation's written license, no right is granted to reproduce this drawing or the subject matter thereof, unless by written agreement with or written permission from the corporation.

Dig Dug Game PCB Schematic Diagram

© ATARI INC., 1982
 A Warner Communications Company

SP-203 Sheet 5B
 3rd printing 5L

Audio



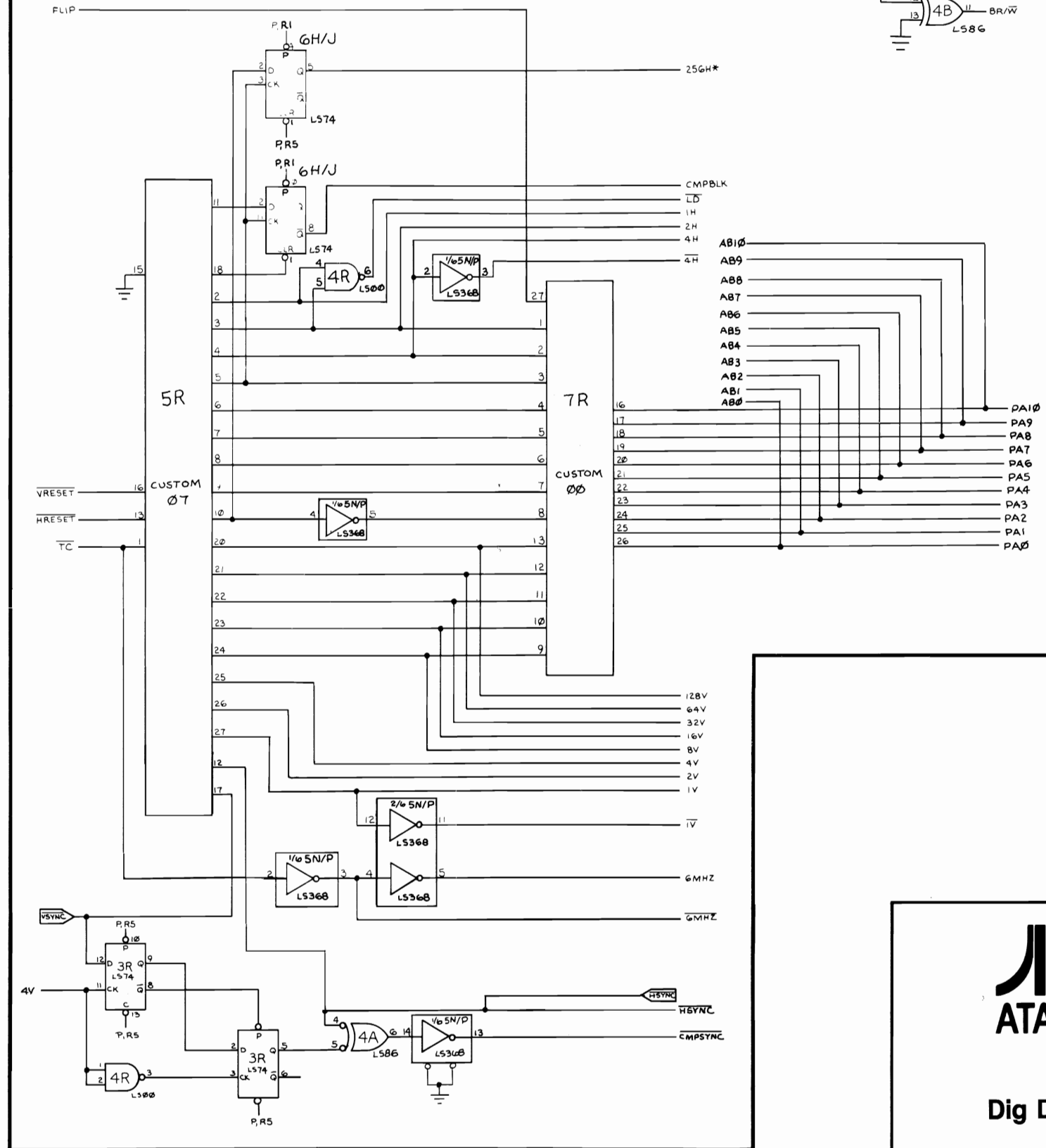
NOTICE TO ALL PERSONS RECEIVING THIS DRAWING
 CONFIDENTIAL: Reproduction forbidden without the specific written permission of Atari, Inc., Sunnyvale, CA. This drawing is only conditionally issued, and neither receipt nor possession thereof confers or transfers any right in, or license to use, the subject matter of the drawing or any design or technical information shown thereon, nor any right to reproduce this drawing or any part thereof. Except for manufacture by vendors of Atari, Inc., and for manufacture under the corporation's written license, no right is granted to reproduce this drawing or the subject matter thereof, unless by written agreement with or written permission from the corporation.

Dig Dug Game PCB Schematic Diagram

© ATARI INC., 1982
 A Warner Communications Company

SP-203 Sheet 6A
 3rd printing 5L

Sync Generator



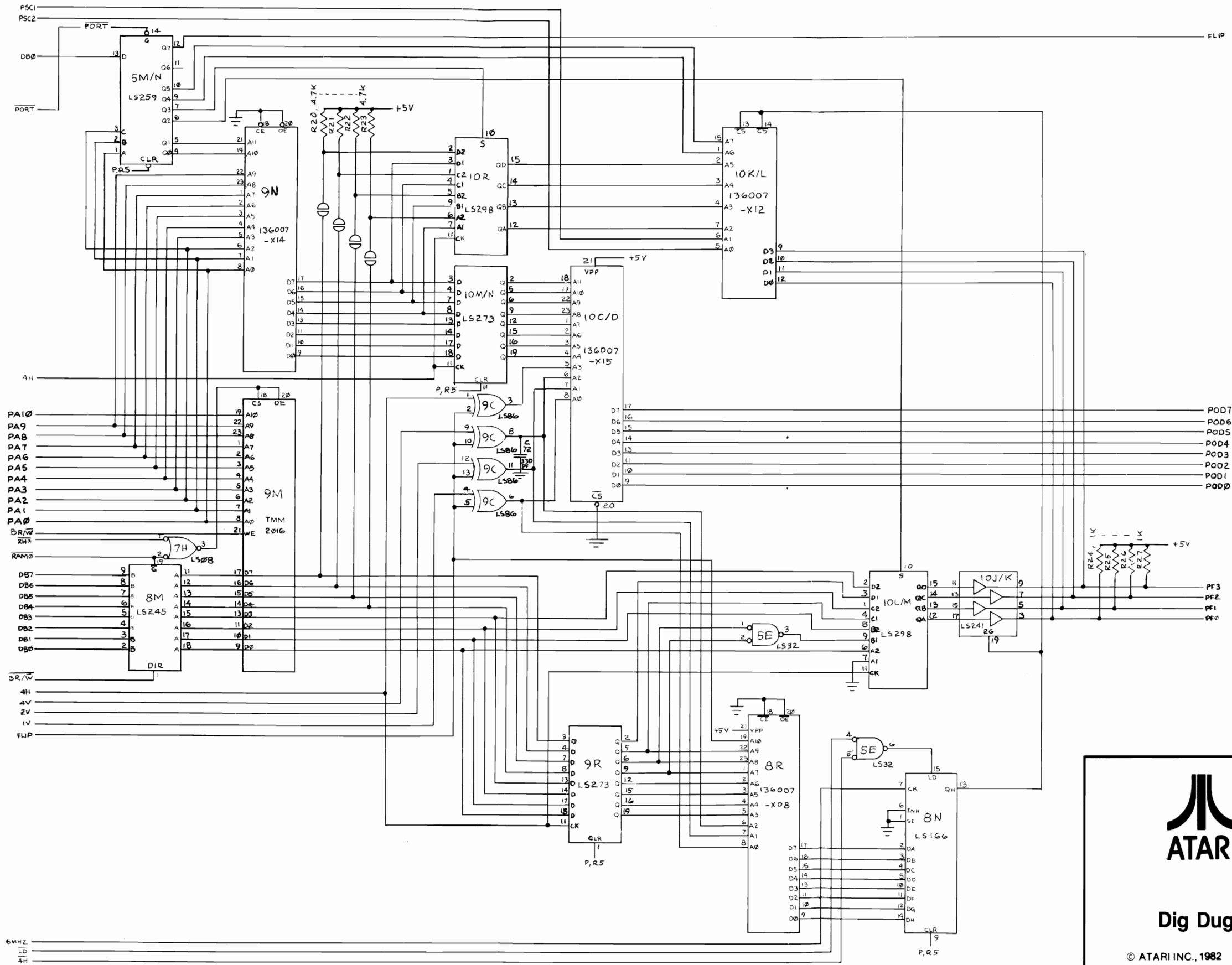
NOTICE TO ALL PERSONS RECEIVING THIS DRAWING
 CONFIDENTIAL: Reproduction forbidden without the specific written permission of Atari, Inc., Sunnyvale, CA. This drawing is only conditionally issued, and neither receipt nor possession thereof confers or transfers any right in, or license to use, the subject matter of the drawing or any design or technical information shown thereon, nor any right to reproduce this drawing or any part thereof. Except for manufacture by vendors of Atari, Inc., and for manufacture under the corporation's written license, no right is granted to reproduce this drawing or the subject matter thereof, unless by written agreement with or written permission from the corporation.


Dig Dug Game PCB Schematic Diagram

© ATARI INC., 1982
 A Warner Communications Company

SP-203 Sheet 6B
 3rd printing 5L

Playfield Generator





ATARI

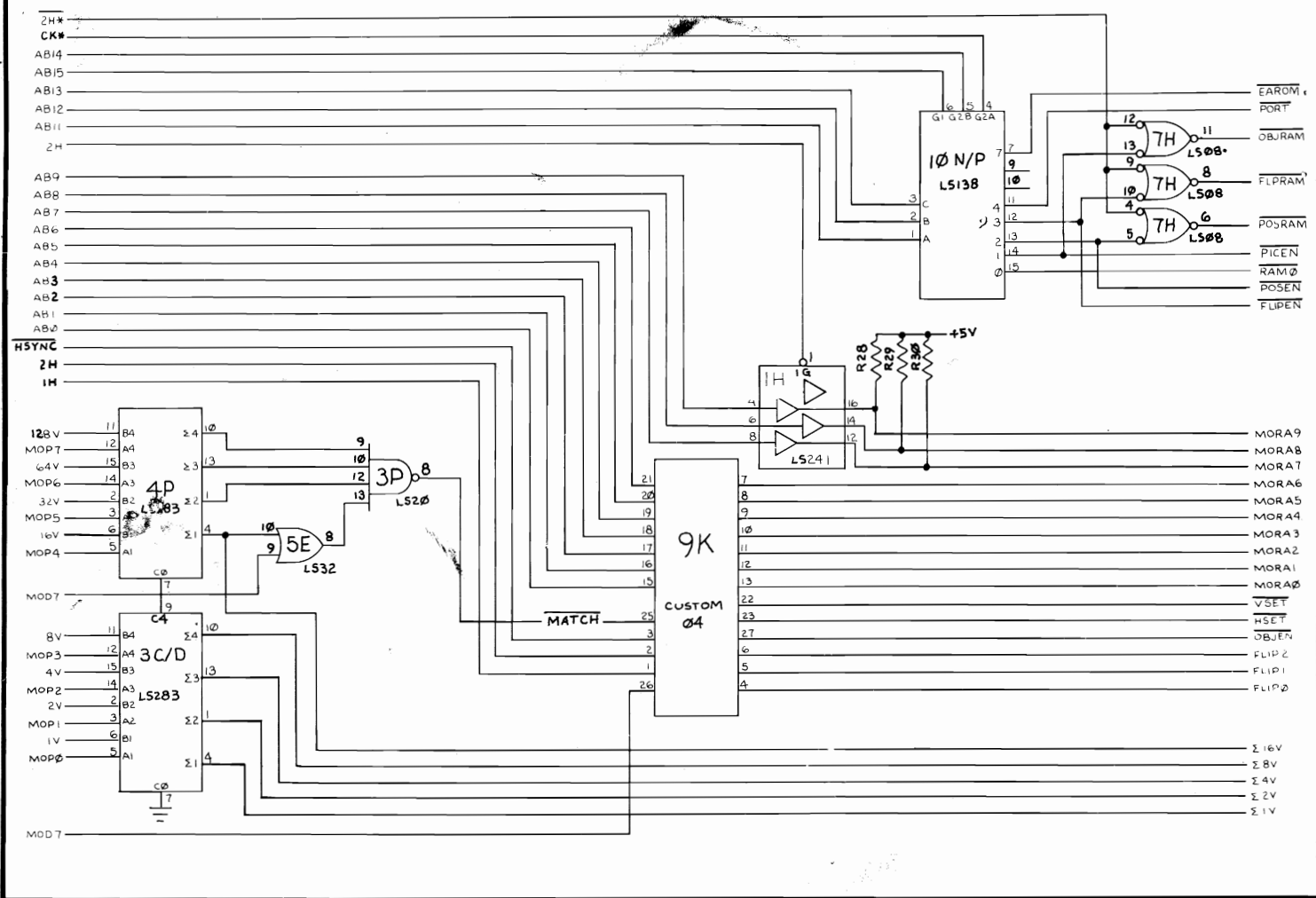
Dig Dug Game PCB Schematic Diagram

© ATARI INC., 1982
A Warner Communications Company

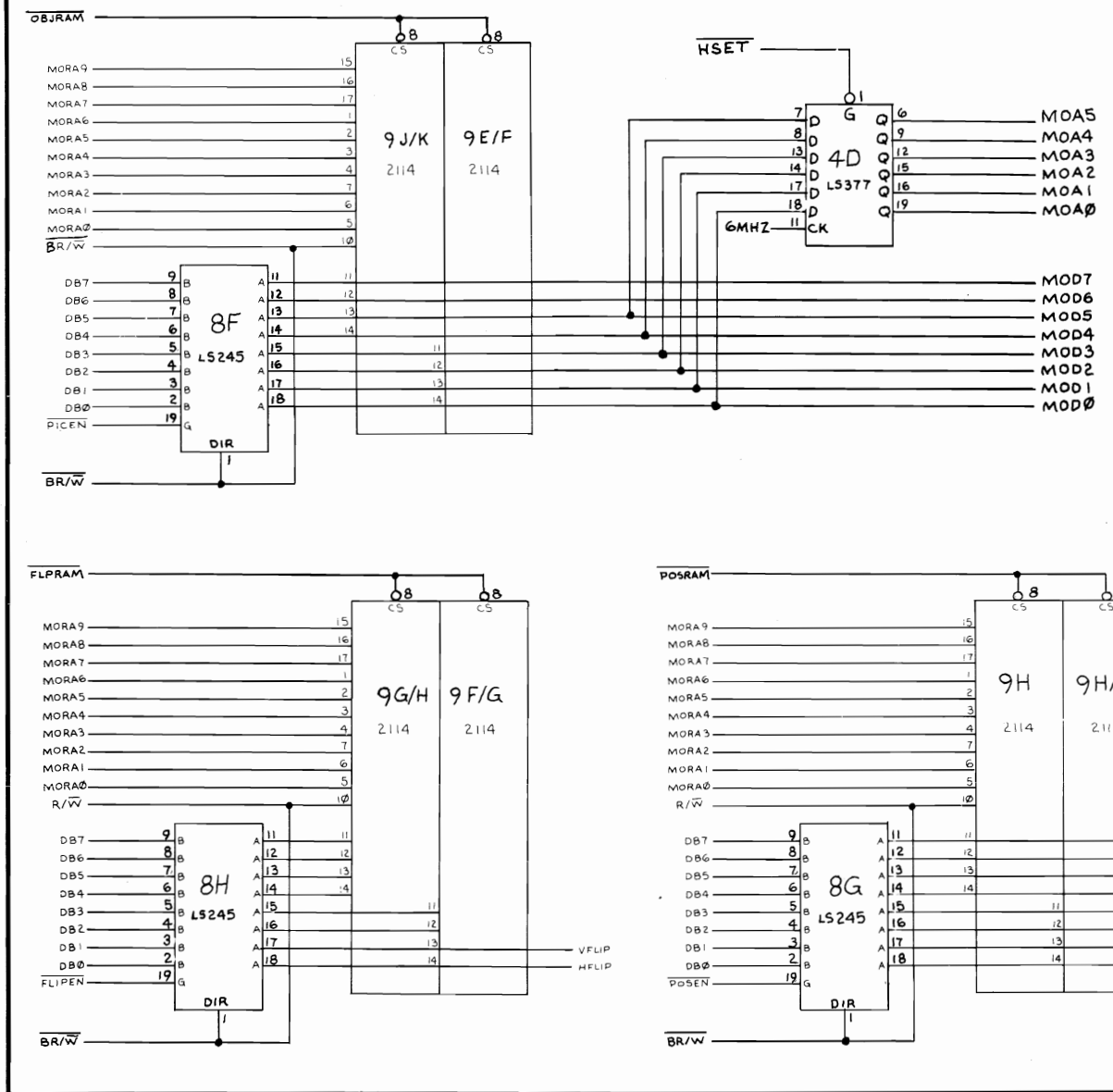
NOTICE TO ALL PERSONS RECEIVING THIS DRAWING
 CONFIDENTIAL: Reproduction forbidden without the specific written permission of Atari, Inc., Sunnyvale, CA. This drawing is only conditionally issued, and neither receipt nor possession thereof confers or transfers any right in, or license to use, the subject matter of the drawing or any design or technical information shown thereon, nor any right to reproduce this drawing or any part thereof. Except for manufacture by vendors of Atari, Inc., and for manufacture under the corporation's written license, no right is granted to reproduce this drawing or the subject matter thereof, unless by written agreement with or written permission from the corporation.

SP-203 Sheet 7A
3rd printing 5L

Motion Object Address Generator, Decoder, and Match Line Flag



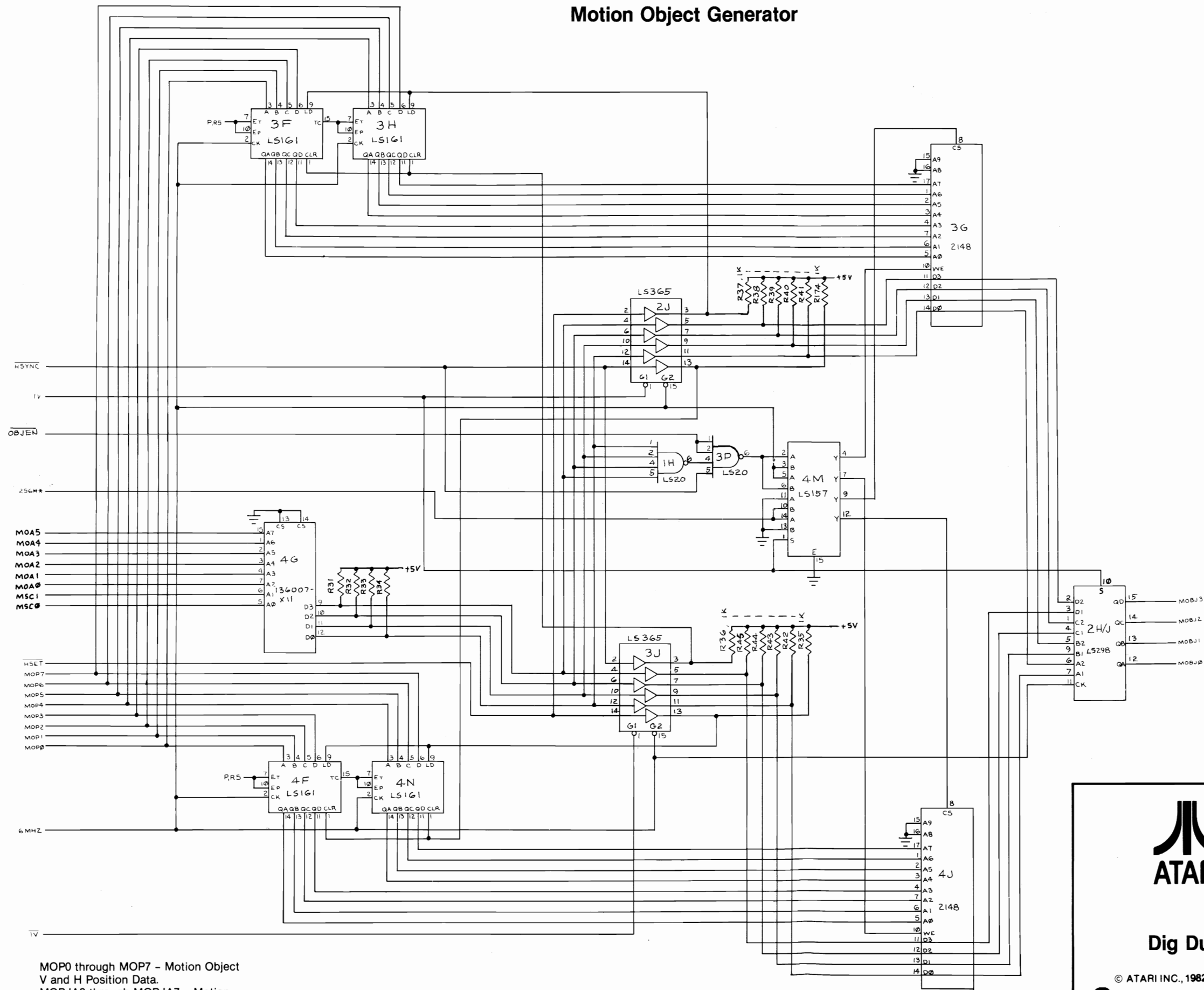
Motion Object RAM



NOTICE TO ALL PERSONS RECEIVING THIS DRAWING
 CONFIDENTIAL: Reproduction forbidden without the specific written permission of Atari, Inc., Sunnyvale, CA. This drawing is only conditionally issued, and neither receipt nor possession thereof confers or transfers any right in, or license to use, the subject matter of the drawing or any design or technical information shown thereon, nor any right to reproduce this drawing or any part thereof. Except for manufacture by vendors of Atari, Inc., and for manufacture under the corporation's written license, no right is granted to reproduce this drawing or the subject matter thereof, unless by written agreement with or written permission from the corporation.


Dig Dug Game PCB Schematic Diagram

Motion Object Generator



MOBJ0 through MOBJ3 -
Motion Object Output.

MOP0 through MOP7 - Motion Object
V and H Position Data.
MOBJA0 through MOBJA7 - Motion
Object Picture Address.



ATARI

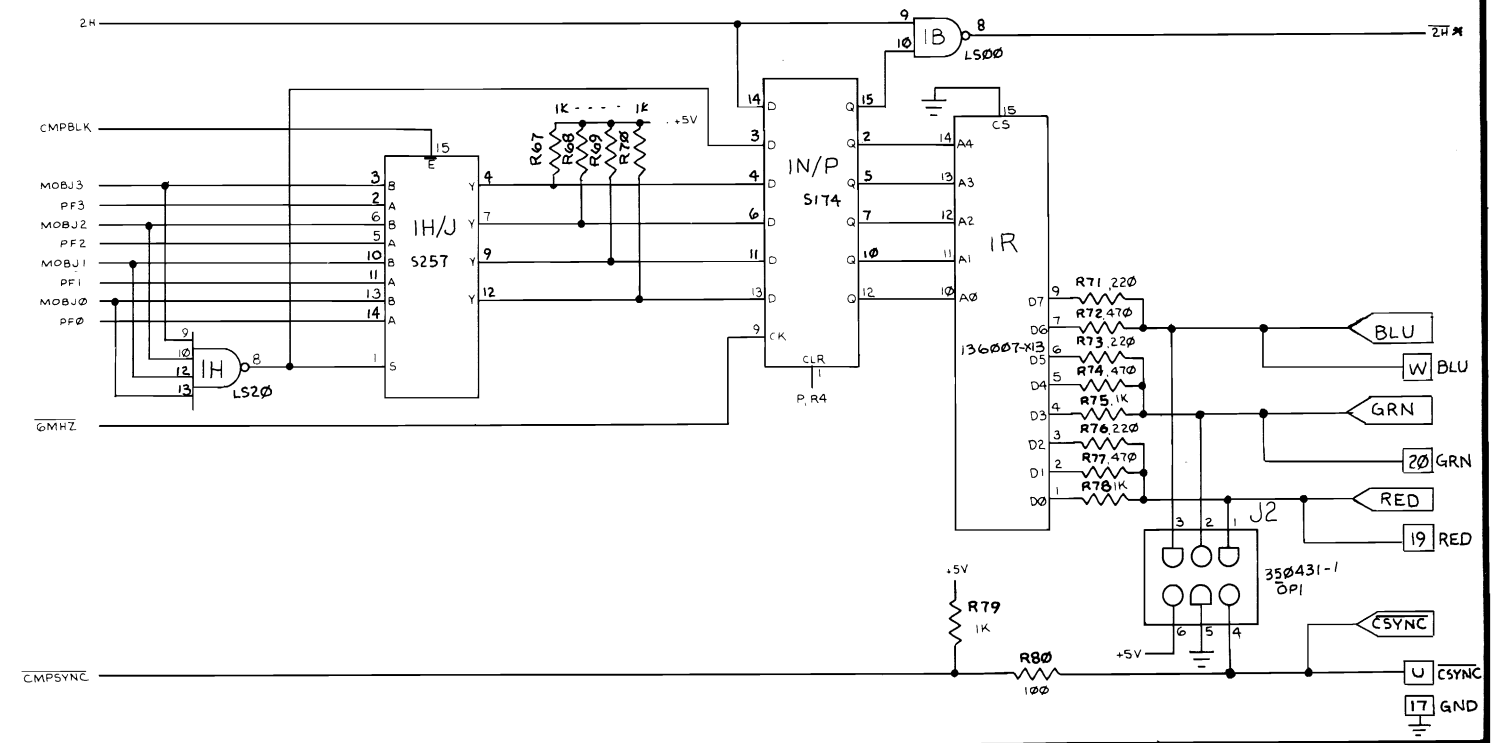
Dig Dug Game PCB Schematic Diagram

© ATARI INC., 1982
A Warner Communications Company

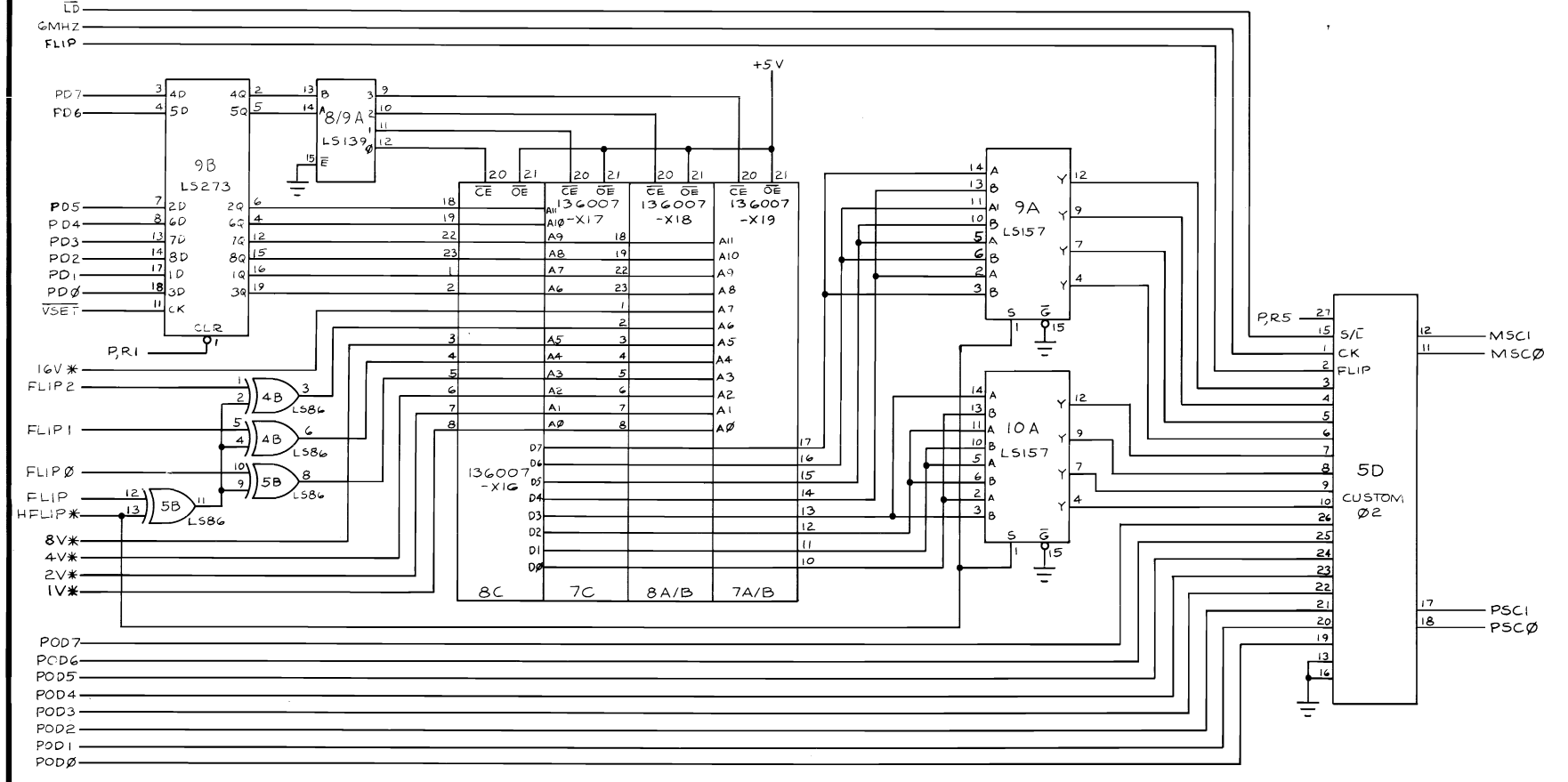
SP-203 Sheet 8A
3rd printing 5L

NOTICE TO ALL PERSONS RECEIVING THIS DRAWING
CONFIDENTIAL: Reproduction forbidden without the specific written permission of Atari, Inc., Sunnyvale, CA. This drawing is only conditionally issued, and neither receipt nor possession thereof confers or transfers any right in, or license to use, the subject matter of the drawing or any design or technical information shown thereon, nor any right to reproduce this drawing or any part thereof. Except for manufacture by vendors of Atari, Inc., and for manufacture under the corporation's written license, no right is granted to reproduce this drawing or the subject matter thereof, unless by written agreement with or written permission from the corporation.

Video Output



Video Color Controller



NOTICE TO ALL PERSONS RECEIVING THIS DRAWING
 CONFIDENTIAL: Reproduction forbidden without the specific written permission of Atari, Inc., Sunnyvale, CA. This drawing is only conditionally issued, and neither receipt nor possession thereof confers or transfers any right in, or license to use, the subject matter of the drawing or any design or technical information shown thereon, nor any right to reproduce this drawing or any part thereof. Except for manufacture by vendors of Atari, Inc., and for manufacture under the corporation's written license, no right is granted to reproduce this drawing or the subject matter thereof, unless by written agreement with or written permission from the corporation.

Dig Dug Game PCB Schematic Diagram