

PlayChoice-10™

KIT

INSTALLATION & OPERATION MANUAL

FOR **PUNCH-OUT!!™** &
ArmWrestling™

Super
PUNCH-OUT!!™

Nintendo®

If the replacement parts and components in this Nintendo-Pak are not installed exactly as instructed herein, there may be radio frequency interference created in violation of F.C.C. Class A Standards.

TABLE OF CONTENTS

- I. Introduction
- II. Contents of PlayChoice-10 Kit
- III. List of Tools Needed
- IV. Replacement Process Step-By-Step
- V. Final Check Sheet and Adjustments

I. INTRODUCTION

PlayChoice-10 Kit enables you to replace Punch-Out!!, Super Punch-Out!!, or Arm Wrestling with PlayChoice-10 in less than one hour.

Before you begin, thoroughly read this Instruction Manual to familiarize yourself with the proper procedures. Make certain that you have all the tools necessary to complete the process.

II. CONTENTS OF NINTENDO-KIT

<u>Part Name</u>	<u>Quantity</u>	<u>Remarks</u>
PCH1-CPU Complete PCB Assembly	1	
PCH Display Panel (Nameplate)	1	
PCH Operation Panel Complete	1	
062G2 Gun Assembly	1	
079 Gun Holster Assembly	1	
079 Shield Cover	1	
UP-20p-079 Gun Main Harness	1	
3mm Allen Hex Wrench	1	
062 Flexible Tube Stopper	1	
4 x 6 Socket Cap Screw	4	
079 Gun Ground Wire	1	
4 x 25 Black Carriage Bolt	4	
M4 Cap Nut	4	
M6 x 30 Carriage Bolt	2	
M6 Cap Nut	2	
PCH Front Screen Upper	1	
PCH Front Screen Lower	1	
PCH Front Screen Bracket	1	
3.8 x 16 Round Wood Screw	4	
PCH Serial Number Plate	1	
3.1 x 10 Round Wood Screw	4	
PCH Side Decal (Right)	1	
PCH Side Decal (Left)	1	
20p-30 FCC Flat Cable	1	
PCH Adjustment Label	1	
FCC Class A Label	1	
FBI Label	1	
PCH Authorization Label	1	
079 Side Covering Label	10	
PCH 1-Up Operation Manual	1	
Gun Holster Mounting Template	1	
JM Bezel	1	
Velcro Hooks	4	
Velcro Loops	4	

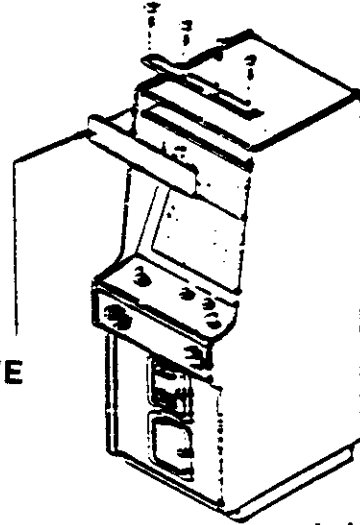
III. LIST OF TOOLS NEEDED

Phillips Screwdriver
 Miniature Screwdriver - Flathead
 Plastic Alignment Tool
 Thin Needle-Nose Pliers
 Short Nose-Tip Cutting Pliers
 Staple Gun
 7mm Drill Bit
 38mm or 1-1/2" Hole Saw with 7mm Pilot
 Hair Dryer or Heat Gun
 10mm Ratcheting Box Wrenches or Plain Square Drive
 with 10mm Socket
 7mm Nut Driver or Socket
 Paint Thinner or Alcohol (for cleaning)
 Rags (for cleaning and installing side decal)

IV. REPLACEMENT PROCESS STEP-BY-STEP

1. Exchange marquee/header.
 - A. Remove four (4) top trim screws.
 - B. Exchange marquee plexiglass.
 - C. Replace top trim and four (4) top trim screws.

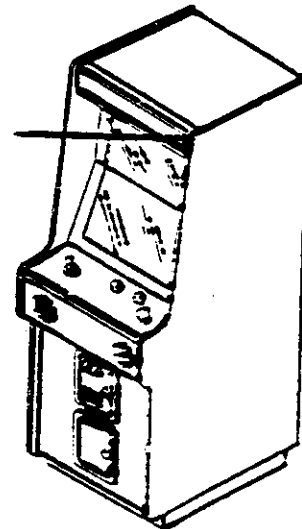
PCH-10 NAME PLATE



1-1

2. Attach authorized PlayChoice-10 sticker.
Place in location shown (see Illustration 1-2).

AUTHORIZED PCH-10 STICKER



1-2

3. Attach FBI sticker (see Illustration 1-3).

A. Place label on back door just under lock.

B. Staple all four (4) corners.

FBI STICKER



1-3

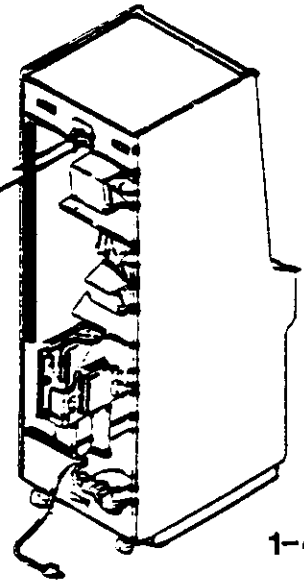
4. Attach FCC Class A Label (see Illustration 1-4).

If old FCC Class A label is not readable, put on new FCC Class A label and staple all four (4) corners.

NEW SERIAL # PLATE NEW FCC LABEL

5. Screw on new serial number plate next to old plate.

IMPORTANT! DO NOT REMOVE OLD PLATE
(see Illustration 104.)



1-4

6. Apply side decals.

A. Remove old side decals, clean sides of cabinet with alcohol.

NOTE: Each kit includes two different side decals, one right side decal and one left side decal.

B. Apply right side decal.

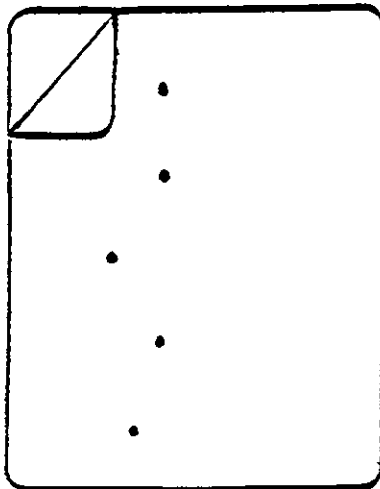
Step 1: Determine the right side decal by lining up the five holes in the decal with the top five carriage bolts on the right side of the cabinet.

Step 2: Peel 6" of the protective backing away from the top corner closest to the front of the cabinet. Fold this portion of the protective backing down (see Illustration 1-5).

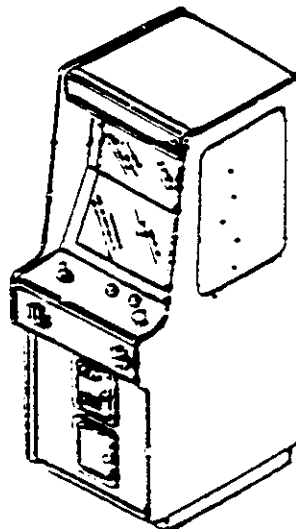
Step 3: Line up the holes in the decal with the carriage bolts on the side of the cabinet and apply pressure to the exposed area (see Illustration 1-6).

Step 4: Pull the remainder of the protective backing down slowly. While doing this, use a soft cloth to smooth decal onto side board, moving from top to bottom of decal.

C. Apply left side decal (follow the same steps used in applying the right side decal).



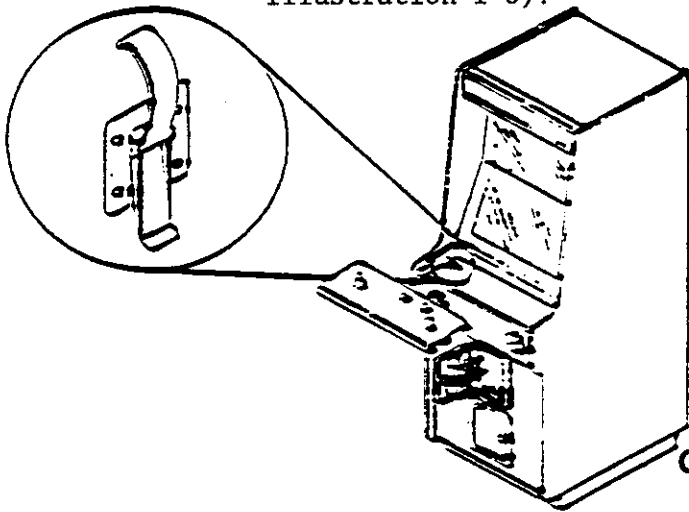
1-5



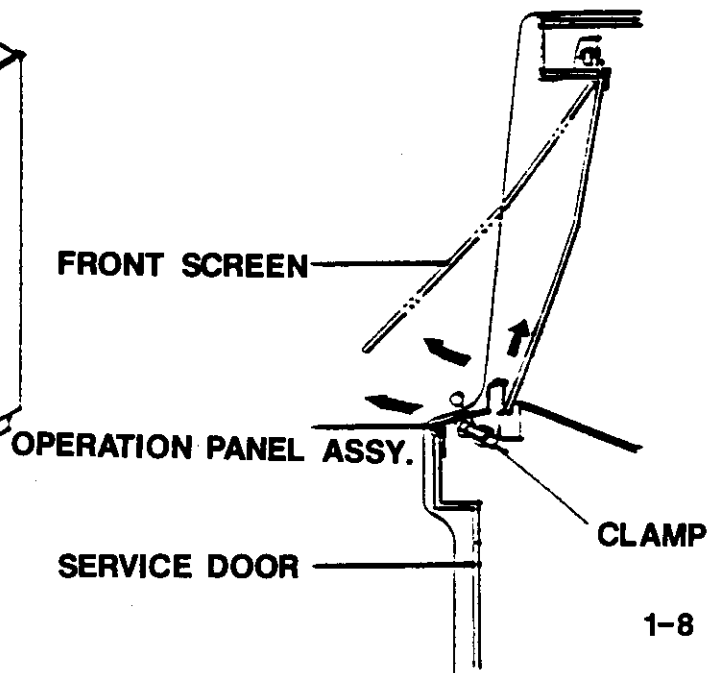
1-6

7. Operation Panel Ass'y and Front Screen removal.

- A. Open service door.
- B. Unlock operation panel hold down clamps (see Illustration 1-7).
- C. Disconnect main harness connectors and remove operation panel assembly.
- D. While holding bottom of front screen, pull toward you (see Illustration 1-8).



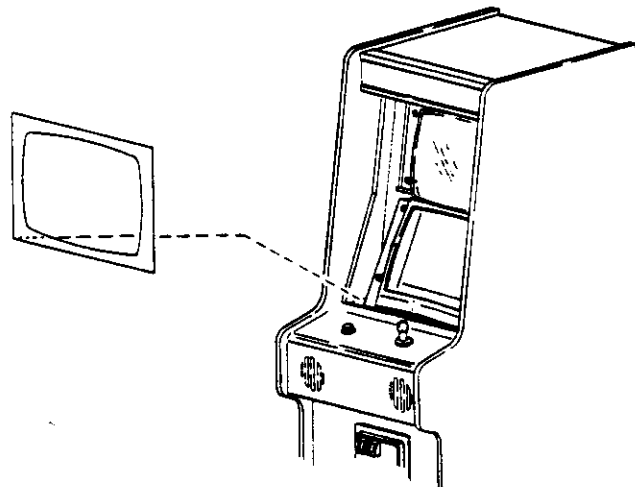
1-7



1-8

8. Attaching JM Bezel.

- A. Attach velcro hooks to the four corners of the JM bezel.
- B. Attach velcro loops to the inside corners of the lower screen monitor bezel.
- C. Attach JM bezel to lower monitor bezel (see Illustration 1-9).



1-9

9. Install the Front screen modification.

A. Install smaller front screen glass (Part A) into center bracket (Part B).

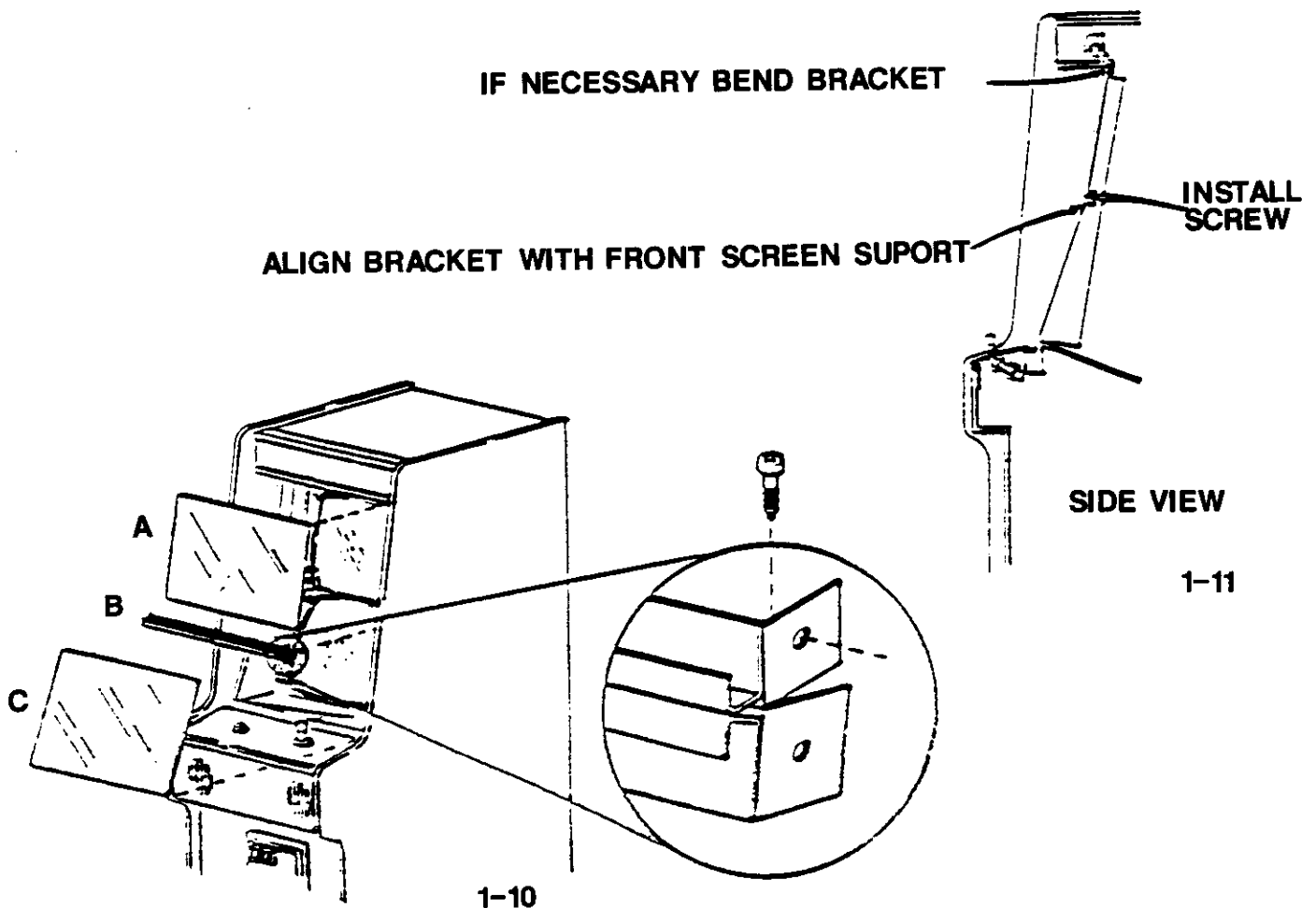
B. Install smaller front screen glass with center bracket into upper bracket of cabinet.

NOTE: Upper bracket may need to be bent back slightly to make room for glass (see Illustration 1-2).

C. Push center bracket and top glass up as far as possible.

D. Align the rear of center bracket with wood front screen supports and install with four 3.8 x 16 wood screws (see Illustration 1-1).

E. Install lower glass (Part C) into cabinet.



9. Install the Front screen modification.

A. Install smaller front screen glass (Part A) into center bracket (Part B).

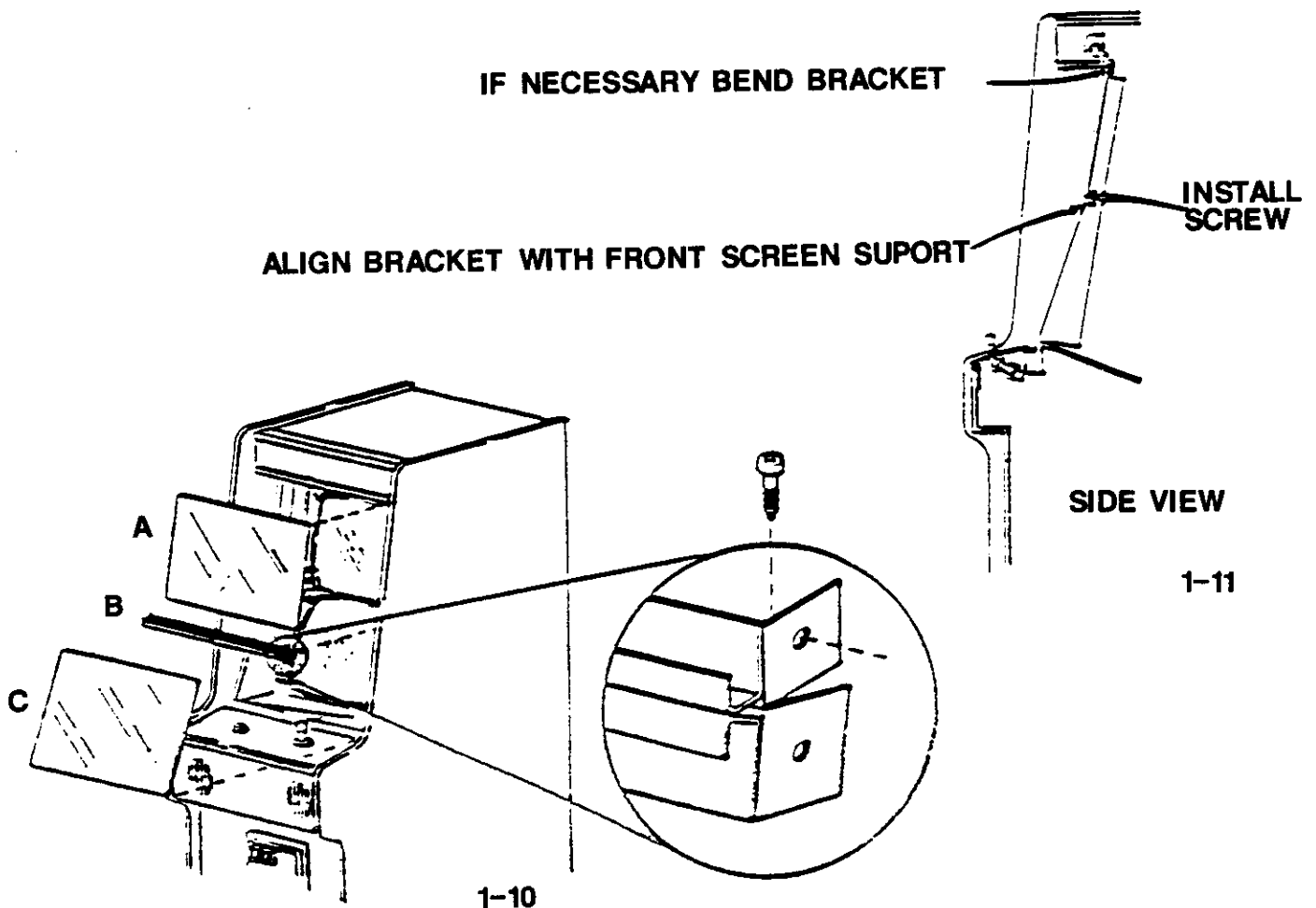
B. Install smaller front screen glass with center bracket into upper bracket of cabinet.

NOTE: Upper bracket may need to be bent back slightly to make room for glass (see Illustration 1-2).

C. Push center bracket and top glass up as far as possible.

D. Align the rear of center bracket with wood front screen supports and install with four 3.8 x 16 wood screws (see Illustration 1-1).

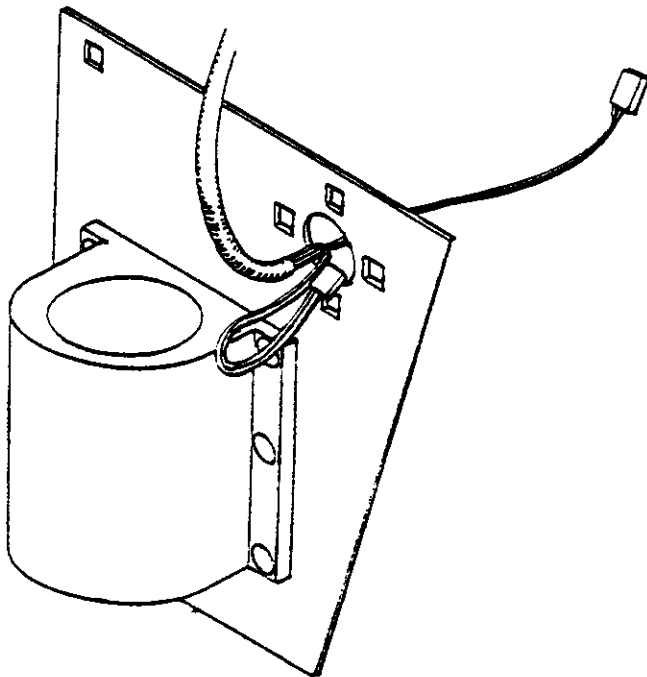
E. Install lower glass (Part C) into cabinet.



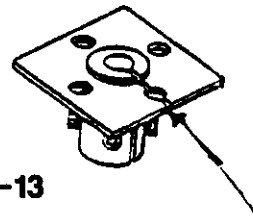
10. Install Gun and Holster.

- A. Using template, mark and drill three 7mm holes for gun and holster installation, right side of service door.
- B. Using 7mm or 9/32" pilot on hole saw, enlarge top right hole to 38mm or 1-1/2".
- C. Clean drilled holes and vacuum inside floor of cabinet.
- D. Mount holster using two M6 x 30 carriage bolts with M6 cap nut. Use 10mm ratchet or socket to tighten M6 cap nut.
- E. To install gun, push the two (2) connectors on the end of the gun cable through gun hole of the holster one at a time (see Illustration 1-12).
- F. From the inside of cabinet, slide the individual colored wires through the slot in the cable clamp assembly (see Illustration 1-13).

NOTE: Be careful not to damage wire insulation.



1-12

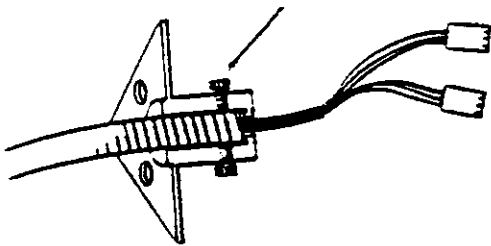


1-13

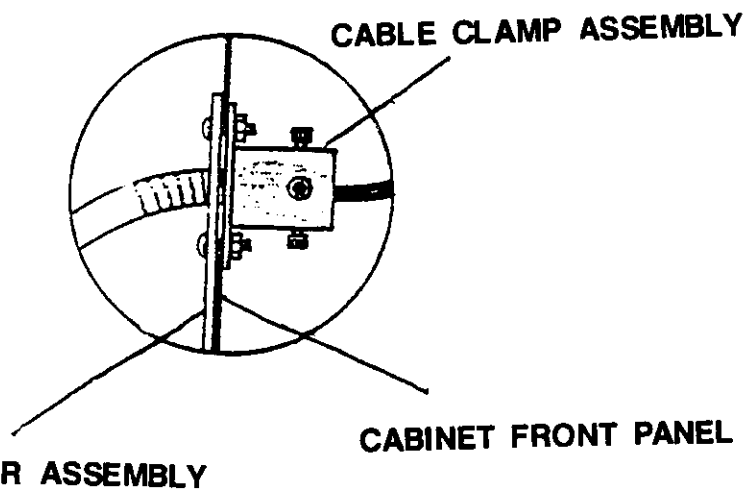
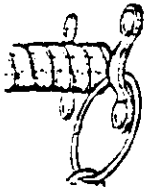
PUSH WIRES THROUGH SLOT

- G. Push the gun cable into the cable clamp assembly until it contacts the bottom, and secure the cable with four (4) M4 x 6 hex head bolts using the 3mm Allen hex wrench provided (see Illustration 1-14).
- H. Attach 062 chain hook and chain to gun holster. Secure cable clamp assembly, chain hook and chain with four (4) M4 x 25 carriage bolts and M4 cap nuts. Use 7mm or 8/32" nut driver to tighten M4 cap nuts (see Illustration 1-14, 1-15).

TIGHTEN HEX HEAD SCREWS SECURELY

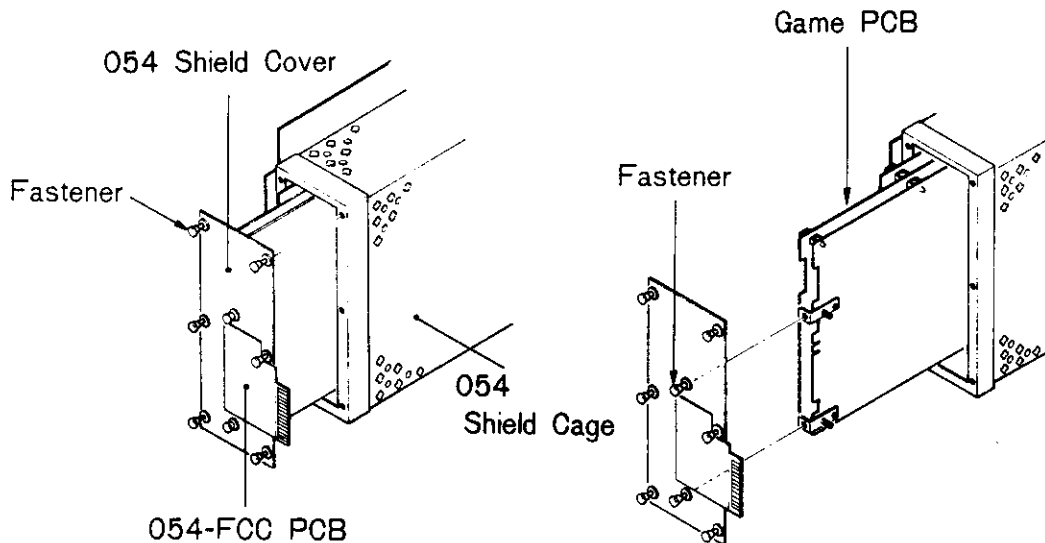


1-14



1-15

11. Remove Game P.C. Board (see Illustration 1-16 and 1-17).
 - A. Make sure the game is unplugged!!
 - B. Open the rear door panel.
 - C. Remove the 56-pin edge connector from the right side of the 054-FCC PCB on the 054 shield cover.
 - D. Pull out 6 fasteners located on perimeter of the 054 shield cover (see Illustration 1-16).
 - E. Remove the Game PCB from the 054 shield cage by carefully sliding it straight out of the wooden PCB retainer.
 - F. Pull out 2 fasteners in the middle of the 054 shield cover. The Game PCB can now be removed (see Illustration 1-17).
 - G. Using Phillips screwdriver, remove five (5) M4 x 10 machine screws from the 054 FCC PCB.
 - H. Remove 054 FCC PCB from 054 shield cover.
 - I. Remove the two L Brackets which attach the PCB to the shield cover and save for installation in new PCB.



1-16

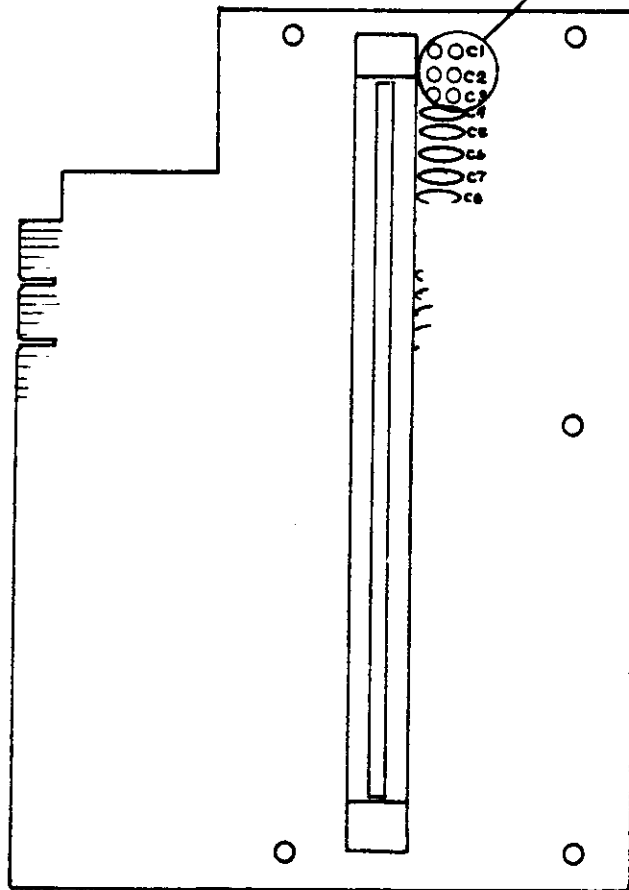
1-17

12. FCC P.C. Board Modification.

IMPORTANT: This modification is necessary for the game to operate.

- A. Using a small pair of wire cutters, clip off the capacitors in locations C1, C2, and C3 on the 054 FCC PCB (see Illustration 1-18).
- B. Attach modified 054 FCC PCB to new shield cover provided in kit.
- C. Attach 20p-30 FCC flat cable to connector on inside of the 079 FCC PCB.

REMOVE THESE THREE CAPACITORS



1-18

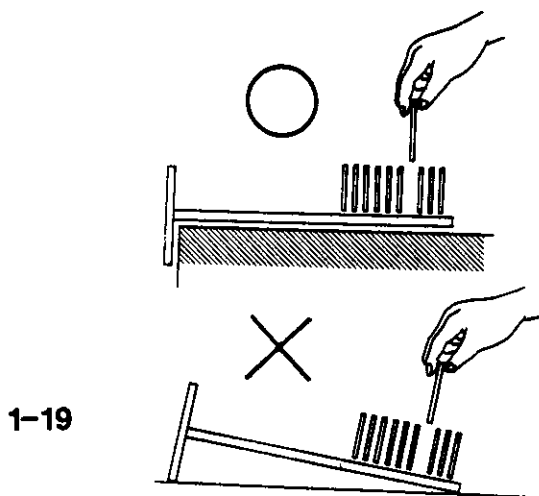
13. Install Game P.C. Board to Shield Cover Assembly.

- A. Install the two L Brackets to the new PCB which were removed in Step 11-I.
- B. Connect 20p-30 flat cable on shield cover assembly to Game PCB.
- C. Connect Game PCB to shield cover assembly and secure with 2 pullout fasteners.

14. ROM PCB Installation and Dip Switch Settings.

NOTE: ROM PCBs are provided in separate individual boxes.

- A. Lay Game PCB flat on table with 079 shield cover hanging off of table as shown in Illustration 1-19.
- B. Align ROM PCB with respective connector. Apply equal pressure to each edge of ROM PCB, pushing down gently until complete connection is achieved.
- C. Set Dip Switches. Dip Switches are located on Game PCB. (See PCH-10 Manual, Page 7. See PCH-10 Manual, Page 8, for option switch settings.)
- D. Install Game PCB and shield cover assembly in shield cage. (Slide into wooden slots gently.)
- E. Secure shield cover by aligning the six (6) pullout fasteners on shield cover with holes on shield cage.

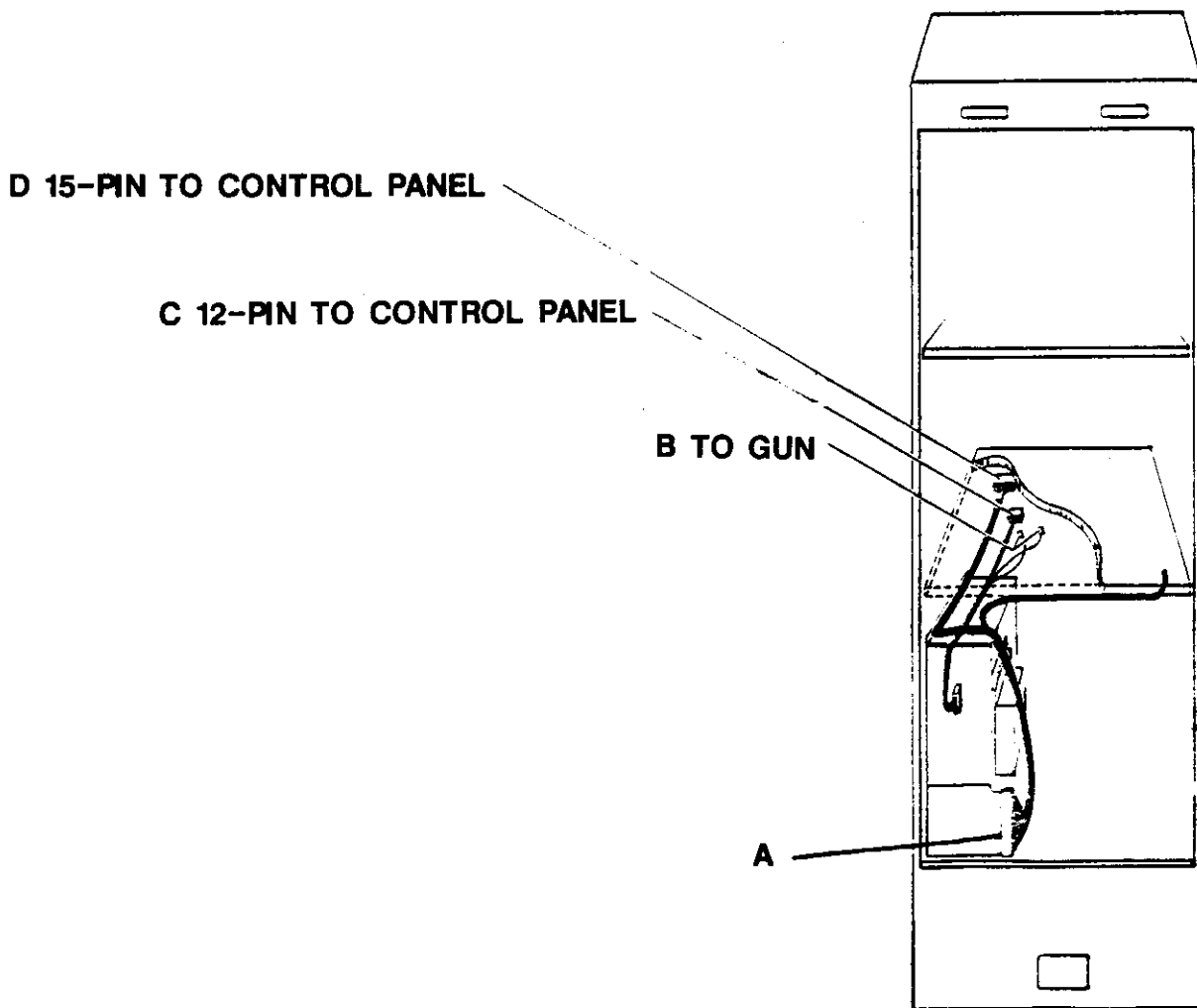


NOTE: Lay PCB flat on table with 079 shield cover hanging off table as shown.

WARNING

**A reverse connector will damage your PCB!
If the connectors don't slide on easily, don't force them!**

15. Install harnesses and replace Control Panel.
- A. Connect 20p-079 gun main harness to connector on outside of shield cover assembly.
 - B. Connect 54-pin edge harness to 079 FCC shield cover.
 - C. Connect red and white connectors of the 20p-079 gun harness to the red and white connectors from the gun harness.
 - D. Connect 12-pin connector of the 20p-079 gun harness to the 12-pin connector of the PCH-10 control panel.
 - E. Connect 15-pin connector of the 054 main harness to the 15-pin harness of the PCH-10 control panel.
 - F. Replace operation panel and secure with clamps.



1-20

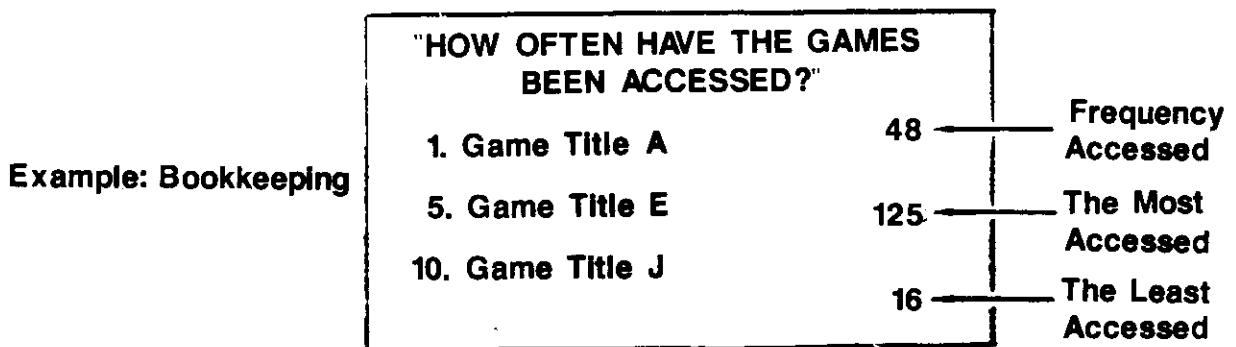
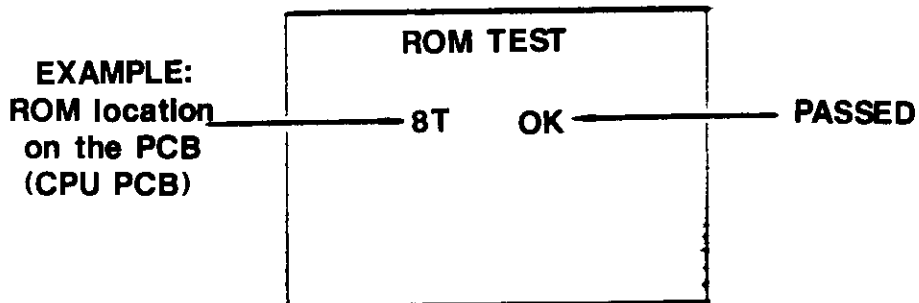
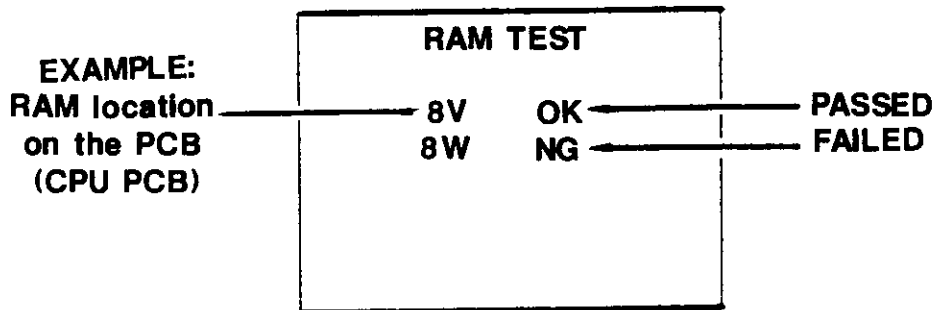
Self-Test and Bookkeeping

1. Entry.

There are three ways to enter Self-Test and Bookkeeping modes:

- A. Press the Service Switch and Enter Button simultaneously during Attract Mode or Game Mode.
- B. Start with game in "Off" position. While pressing the Service Switch, set the Power On/Off Switch to the "On" position. Through this entry, you have an option to reset the Bookkeeping RAM. Follow the instructions on the Video Monitor.
- C. Start with game in "Off" position. Set Toggle H (SW1) on the Game PCB to "On" position and the Power On/Off Switch to the "On" position.

2. Self-Test and Bookkeeping are self-explanatory on the Video Monitor as follows:



V. FINAL CHECK SHEET AND ADJUSTMENTS

1. FBI sticker installed. (MANDATORY)
2. New serial number plate installed. (MANDATORY)
3. New FCC label installed. (MANDATORY)
4. FCC P.C. Board modification made. (MANDATORY)
5. P.C. Board adjustments made. (See P.C. Board adjustments in PlayChoice-10 Operation manual.)
6. Monitor adjustments made. (See monitor adjustments in PlayChoice-10 Operation manual.)
7. Holster installed.
8. Coins give credit.
9. Controls on operation panel functioning.
10. Gun function checked.
11. Sound checked.